

Kytola Model 2851 Constant Flow Regulator is a sturdy, industrial constant flow regulator designed to provide constant flow of liquids or gases regardless of pressure variations.

Model 2851 is intended for low liquid flows in applications where supply or backpressure varies and for gas flows in applications where backpressure varies.



Model 2851 equipped with model L flow meter

- For liquid and gas
- Reliable operation
- Easy maintenance
- Max. flow
3.0 L/min H₂O
100 NL/min air (6 barg)

ISO 9001 ISO 14001

CONSTANT FLOW REGULATOR 2851

The regulator is a membrane type differential pressure controller, and it is usually supplied with Model L variable area flow meter.

FEATURES

- Two-piece stainless steel construction
- Vertical installation
- Competitively priced
- Model L flow meter for flow rate adjusting and monitoring

TYPICAL APPLICATIONS

- Control of seal waters
- Control of flush waters
- Water or air purging
- Level measurement in tanks

OPTIONS

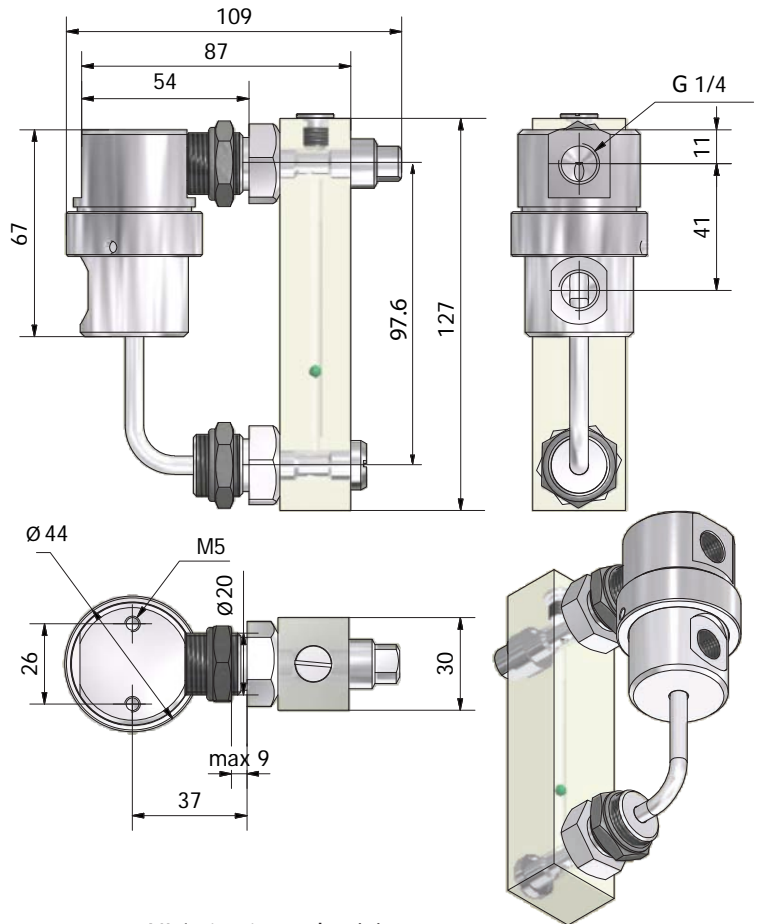
- Hand knob in flow adjustment valve
- Viton® seals

Max. flow	3.0 L/min H ₂ O (100 NL/min air at 6 barg)
Nominal flow	2.3 L/min H ₂ O (100 NL/min air at 6 barg)
Max. diff. pressure	20 bar
Max. static pressure	20 bar (30 bar / 30°C)
Pressure drop at nominal flow	2 bar
Max. temperature	75°C with acrylic flow tube, 80°C with Grilamid flow tube
Body	AISI 316
Spring	AISI 316
Membrane	EPDM
Membrane plate	AISI 316
Seals	Nitrile (*Viton®, EPDM)
Mesh	PTFE
Connections	G 1/4" or NPT 1/4"
Installation position	Vertical
Weight	0.85 kg



*Special construction on request

2851		
Connections		
G 1/4"	R	
NPT 1/4"	N	
Flow Range		
H₂O L/min	Air NL/min	
15 – 80 mL/min	0.5 – 2.5*	4C
0.01 – 0.13	0.5 – 6*	5K
0.01 – 0.2	0.5 – 7*	5A
0.025 – 0.325	1 – 10*	5B
0.05 – 0.5	2 – 14*	5C
0.1 – 0.75	3 – 20*	8T
0.1 – 1	5 – 30*	8M
0.2 – 1.6	10 – 50*	8P
0.2 – 2.6	10 – 85*	8S
0.5 – 3.5**	15 – 110*	8R
Scale		
H ₂ O (L/min) at +20°C		A
Relative scale 1–10		D
Factory assigned model number for air scale		XX
Flow Tube		
Acrylic		A
Grilamid-TR55		G
Special Feature		
Hand knob		H
Viton® seals		V
EPDM seals		Y



*) Example scale at +20°C / 1.013 bar (abs)
 Gas scale always has to be calibrated according to the actual medium, inlet pressure and temperature.
 Note! Δp over the 2851 regulator must be ≥ 2 bar.
 **) Flow meter scale, regulator max. flow is 3.0 L/min H₂O

