

KYTOLA® check valve Model 2680 is a spring loaded device, which allows free flow of medium in one direction but closes immediately upon flow ceasing or changing direction.

Reverse flow is prevented thereby protecting any measuring or regulating equipment from process media.



- Closes if flow stops or reverses
- Withstands corrosive media
- Maximum pressure 300 bar

CHECK VALVE 2680

FEATURES

- Robust stainless steel construction
- Can be mounted in any position

TYPICAL APPLICATIONS

- Liquid feed lines
- Gas feed lines
- Pressurized sealing water systems

OPTIONS

- Special seals
- Different opening pressures

Model 2680

Body	AISI 316
Seals	Nitrile (*Viton®, *EPDM)
Max. pressure	300 bar
Max. differential pressure	5 bar
Opening pressure	0.15 – 0.25 bar (*other opening pressure values)

*) Special construction on request

2680-**Connections**

Male inlet, female outlet	A
Female inlet, female outlet	B

Inlet**Outlet**

BSP 1/4"	BSP 1/4"	R 1/4
BSP 3/8"	BSP 3/8"	R 3/8
BSP 1/2"	BSP 1/2"	R 1/2
BSP 3/4"	BSP 3/4"	R 3/4
BSP 1"	BSP 1"	R 1

Special Feature

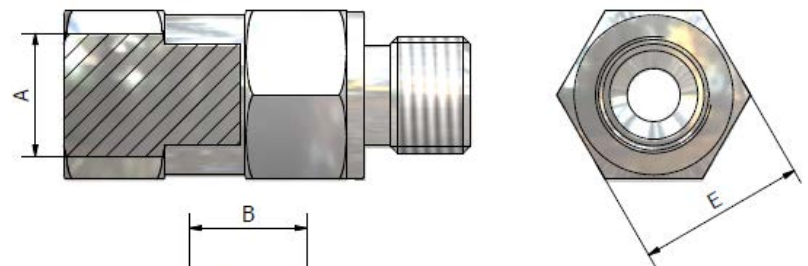
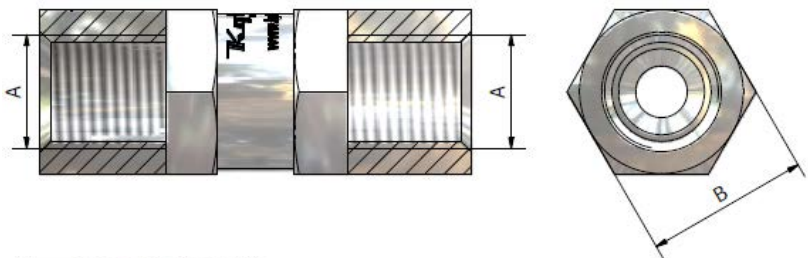
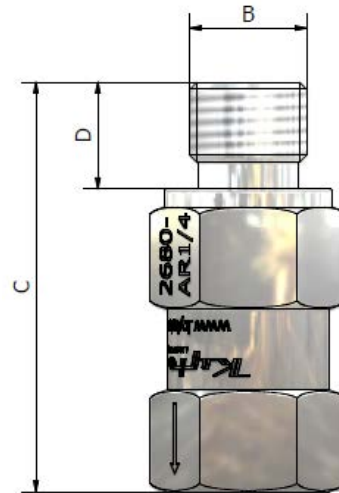
Viton® seals	V
EPDM seals	E

2680-A

A	B	C	D	E
BSP 1/4	BSP 1/4	46	12	19
BSP 3/8	BSP 3/8	50	12	24
BSP 1/2	BSP 1/2	60	14	27
BSP 3/4	BSP 3/4	65	16	32
BSP 1	BSP 1	70	18	41

2680-B

A	B	C
BSP 1/4	19	50
BSP 3/8	24	55
BSP 1/2	27	65
BSP 3/4	32	70
BSP 1	41	75

**2680-A****2680-B**