

The Kytola® Model 3630 Constant Flow Regulator is a sturdy, industrial constant flow regulator.

It is designed to provide a constant flow of liquids in applications where supply or backpressure varies and to provide a constant flow of gases in applications where backpressure varies.



Model 3630 equipped with model L flow meter

- For liquid and gas
- High performance
- Reliable operation
- Easy maintenance
- Flow rate up to 24 USGPH H<sub>2</sub>O  
2.3 SCFM air

ISO 9001:2008 ISO 14001:2004

## CONSTANT FLOW REGULATOR 3630

Model 3630 is a membrane type differential pressure controller. It is supplied with Model L variable area flow meter for flow rate indication and setting.

### FEATURES

- Aluminium or stainless steel construction
- Vertical installation
- Competitively priced

### TYPICAL APPLICATIONS

- Water purging for instruments
- Air purging in level measurements
- Gas purging in  $\Delta p$  measurements

### OPTIONS

- Thread adapters
- Flow alarm

## Model 3630

Max. flow	24 USGPH H <sub>2</sub> O, 2.3 SCFM at 87 psig air 1.5 L/min H <sub>2</sub> O, 60 NL/min at 6 bar(g) air	Weight	1.1 lbs (0.5 kg) aluminium body 2.4 lbs (1.1 kg) AISI 316 body
Max. differential pressure	145 psi (10 bar)	Membrane plate	Nylon (PA 6) (*PVDF)
Max. static pressure	290 psi (20 bar)	Membrane	EPDM
Pressure drop at maximum flow	29 psi (2 bar)	Mesh	PTFE
Max. temperature	167°F (75°C) / *176°F (80°C)	Seals	Nitrile (*Viton, EPDM)
Body	Aluminium or stainless steel AISI 316	Installation position	Vertical
Spring	Stainless steel AISI 316	Connections	NPT 1/4" or BSP 1/4"

\*) Special construction on request

<b>Regulator Material</b>		
Aluminium	A	
AISI 316	H	
<b>Connections</b>		
BSP 1/4"	standard, leave blank	
NPT 1/4"	N	
<b>Flow Range H<sub>2</sub>O</b>		
USGPH	L/min	
0.2 – 1.3	15 – 80**	
0.2 – 2.0	0.01 – 0.13	
0.2 – 3.6	0.01 – 0.2	
0.5 – 5.5	0.025 – 0.35	
1 – 8.5	0.05 – 0.5	
2 – 12	0.1 – 0.75	
2 – 17	0.1 – 1	
4 – 26	0.2 – 1.6	
**mL/min		
Factory assigned model number for special range		XX
<b>Scale</b>		
H <sub>2</sub> O L/min (20°C)	A	
H <sub>2</sub> O USGPH (70°F)	N	
Relative scale 1–10	D	
Factory assigned model number for special scale	XX	
<b>Flow Tube Material</b>		
Acrylic	A	
Grilamid TR55	G	
Trogamid-T	T	
<b>Special Features</b>		
Hand knob in valve	H	
Viton® seals	V	

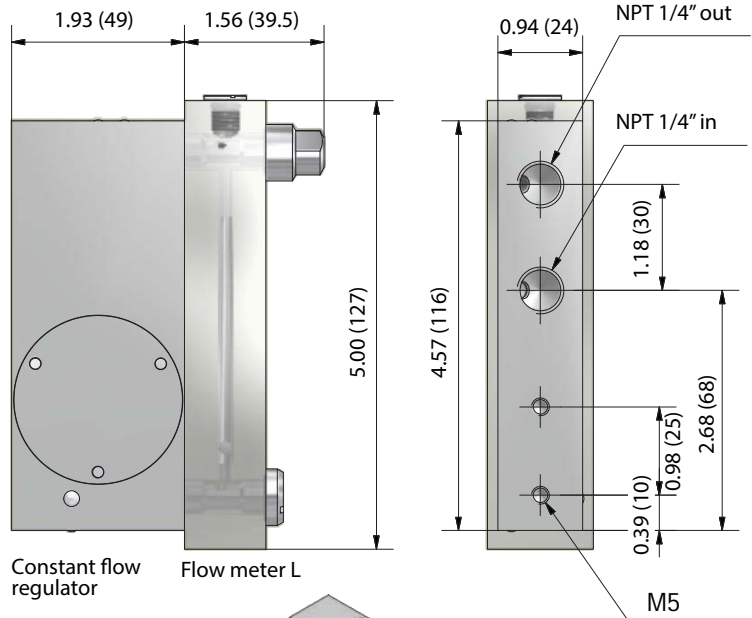
\*Example air ranges at 70°F / 14.7 psia (20°C / 1.013 bar abs) for calibration purpose only

**NOTE:** When ordering special flow meters (range or scale or both), process conditions must be mentioned as shown in the special product code example below.

**NOTE:** The gas scale always has to be calibrated according to the actual medium, inlet pressure, and temperature. Δp over the regulator must be ≥ 29 psi (2 bar).

### PRODUCT CODE EXAMPLES

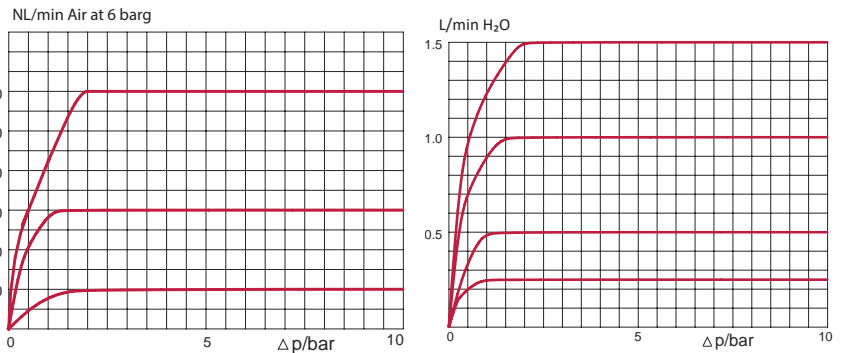
Standard product code	3630H-N-8TN-AHV
Special product code	3630A-N-XXXX-AH
Medium	CO <sub>2</sub>
Max flow rate	13 NL/min
Min flow rate	1 NL/min
Inlet pressure	5 bar(g)
Operating temperature	+20°C



Constant flow regulator      Flow meter L



**NOTE:** Measurements in the drawings in this datasheet are in inches (and millimeters) if not stated otherwise.



PERFORMANCE