

The Kytola® Constant Flow Regulator Model 3631 is designed to provide a constant flow of liquids in applications where supply or back pressure varies. It also provides a constant flow of gases in applications where back pressure varies.



Model 3631 equipped with model L flow meter

- For liquid and gas
- High performance
- Reliable operation
- Easy maintenance
- Max. flow  
1.5 L/min H<sub>2</sub>O  
60 NL/min air (6 barg)

## CONSTANT FLOW REGULATOR WITH ALARM 3631

Model 3631 is a membrane type differential pressure controller with alarm function. It is supplied with variable area flow meter model L for indicating and setting the flow rate.

### FEATURES

- Adjustable alarm flow rate
- Aluminium or stainless steel construction
- Vertical installation
- Competitively priced

### TYPICAL APPLICATIONS

- Water purging for instruments
- Air purging in level measurements
- Gas purging in  $\Delta p$  measurements

### OPTIONS

- Thread adapters

|                                |   |                |   |
|--------------------------------|---|----------------|---|
| <b>Model</b>                   | <b>3631</b>   |                |   |
| Max. flow                      | 1.5 L/min H <sub>2</sub> O, 60 NL/min air at 6 bar(g) | Membrane plate | Nylon (PA 6) (*PVDF)                            |
| Max. differential pressure     | 10 bar  | Membrane       | EPDM  |
| Max. static pressure           | 20 bar  | Mesh           | PTFE  |
| Minimum required pressure drop | 2 bar   | Seals          | Nitrile (*Viton, EPDM)                          |
| Max. temperature               | 75°C (*80°C)  | Alarm sensor   | NAMUR or PNP/NPN (2-wire)                       |
| Body                           | Aluminium or stainless steel AISI 316                 | Connections    | BSP 1/4" or NPT 1/4"                            |
| Spring                         | Stainless steel AISI 316                              | Weight         | 0.6 kg (aluminium body), 1.2 kg (AISI 316 body) |
|                                | *) Special construction on request                    |                |   |

|   |                    |    |
|---|--------------------|----|
| <b>3631</b>                                     |                    |    |
| <b>Regulator Material</b>                       |                    |    |
| Aluminium                                       | A                  |    |
| AISI 316  | H                  |    |
| <b>Connections</b>                              |                    |    |
| NPT 1/4"  | N                  |    |
| BSP 1/4"  | R                  |    |
| <b>Flow Tube Material</b>                       |                    |    |
| Acrylic   | A                  |    |
| Grilamid TR55                                   | G                  |    |
| Trogamid-T                                      | T                  |    |
| <b>Flow Range</b>                               |                    |    |
| <b>H<sub>2</sub>O L/min</b>                     | <b>Air NL/min</b>  |    |
| 15 – 80 mL/min                                  | 0.5 – 2.5*         | 4C |
| 0.01 – 0.13                                     | 0.5 – 6*           | 5K |
| 0.01 – 0.2                                      | 0.5 – 7*           | 5A |
| 0.025 – 0.35                                    | 1 – 10*            | 5B |
| 0.05 – 0.5                                      | 2 – 14*            | 5C |
| 0.1 – 0.75                                      | 3 – 20*            | 8T |
| 0.1 – 1   | 5 – 30*            | 8M |
| 0.2 – 1.6                                       | 10 – 50*           | 8P |
| Factory assigned model number for special range |                    | XX |
| <b>Scale</b>                                    |                    |    |
| H <sub>2</sub> O (L/min) at +20°C               |                    | A  |
| Relative scale 1–10                             |                    | D  |
| Factory assigned model number for special scale |                    | XX |
| <b>Alarm Range</b>                              |                    |    |
| <b>H<sub>2</sub>O L/min</b>                     | <b>Air NL/min*</b> |    |
| 0 – 0.005...0.35                                | 0 – 0.2...10*      | A  |
| 0 – 0.03...0.5                                  | 0 – 1.5...17*      | B  |
| 0 – 0.15...∞                                    | 0 – 3.5...∞*       | C  |
| <b>Sensors</b>                                  |                    |    |
| Without sensor                                  |                    | D  |
| PNP/NPN (2-wire)                                |                    | F  |
| NAMUR   |                    | N  |
| <b>Special Features</b>                         |                    |    |
| Hand knob in valve                              |                    | H  |
| Viton seals                                     |                    | V  |

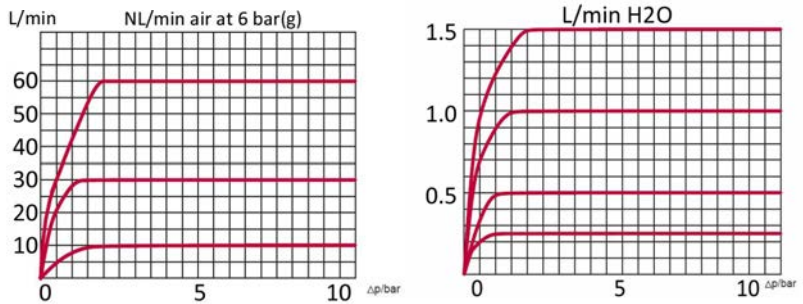
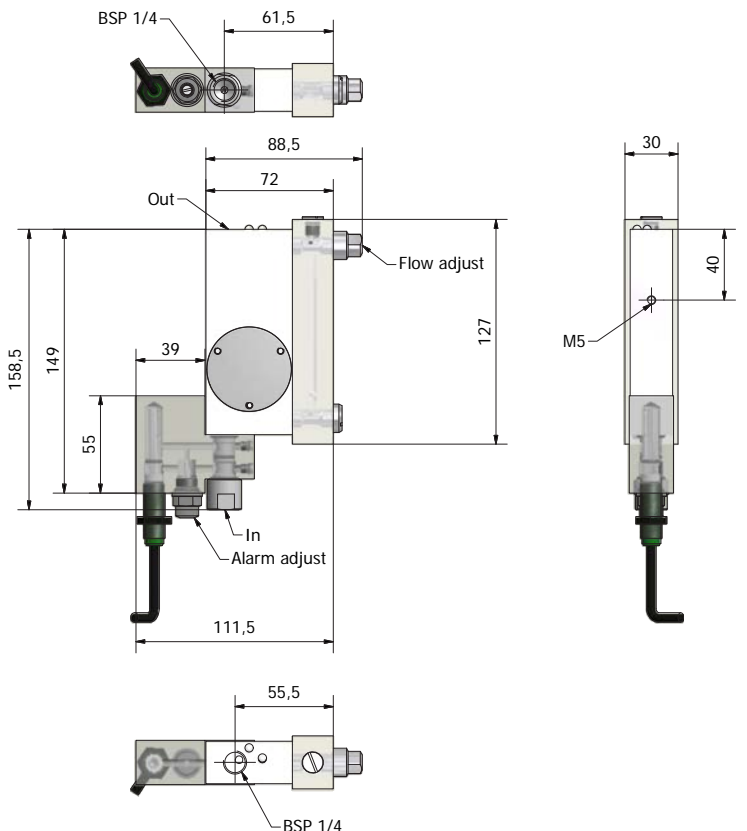
\*Example air ranges at +20°C / 1.013 bar (abs) for calibration purpose only

**NOTE:** When ordering special regulators (range or scale or both), process conditions must be mentioned as shown in the special product code example below.

**NOTE:** The gas scale always has to be calibrated according to the actual medium, inlet pressure, and temperature. Δp over the regulator must be ≥ 2 bar.

**PRODUCT CODE EXAMPLES**

|                       |   |
|-----------------------|---|
| Standard product code | 3631HRT8TAANHV  |
| Special product code  | 3631ANAXXXXAFH  |
| Medium                | CO <sub>2</sub>   |
| Max flow rate         | 13 NL/min   |
| Min flow rate         | 1 NL/min  |
| Inlet pressure        | 5 bar(g)  |
| Operating temperature | +20°C   |
| Alarm flow rate       | 0 – 1...10 NL/min<br>(adjustable 1...10 NL/min,<br>always activated 0 – 1 NL/min) |



**Kytola Instruments Oy**  
 Olli Kytölään tie 1  
 FI-40950 Muurame, Finland  
 Tel. +358 20 779 0690  
 Fax +358 14 631 419  
 E-mail info@kytola.com