

KYTOLA® Model DPP is a well type manometer designed for reliable monitoring and accurate measurement of low pressure and differential pressure in applications where clear visual indication is required.

The well type manometer has a wider range than the inclined tube manometer.



- Clear and easy reading
- Good contrast
- Zero adjustment screw
- Large filling liquid reservoir

ISO 9001 ISO 14001

DIFFERENTIAL PRESSURE METER DPP

Model DPP is intended for use in laboratories, high-pressure fans, and air filters. It is also suitable for flow rate and velocity measurement in laboratories and in the field.

FEATURES

Provided with filling liquid, mounting screws

TYPICAL APPLICATIONS

Air conditioning strainers

Blowers

Dust filters

Pressurized enclosures

Laboratories

Flow rate and velocity measurement

Annealing furnaces

OPTIONS

Scales in different units, e.g. W.C.

Special scale markings

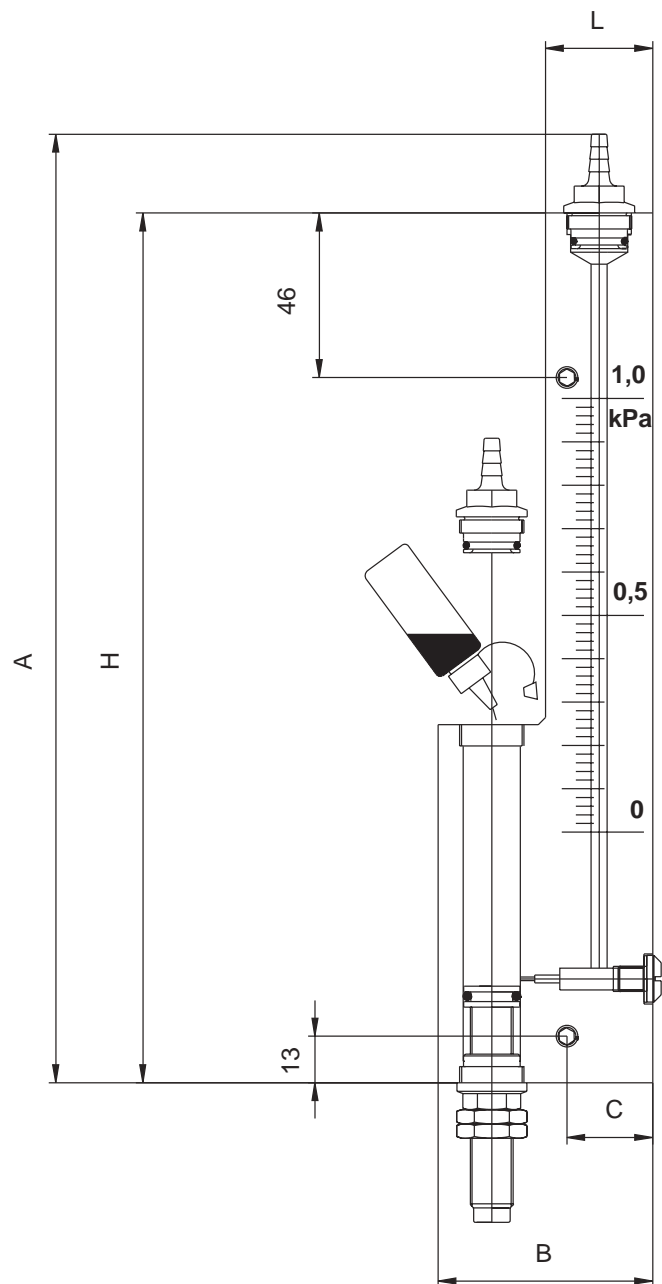
Customer logo

Hoses

Model	DPP-1K	DPP-2K	DPP-3K	DPP-4K	DPP-5K
Weight	350 g	450 g	600 g	950 g	1050 g
Metering liquid	Red hydrocarbon mixture, $\rho = 0.78$				
Body	Acrylic (PMMA)				
Connectors	Polycarbonate (PC)				
Seals	Nitrile				
Max. static pressure	10 bar				
Ambient temperature	-40°C ... +50°C				
Accuracy	$\pm 2.5\%$ of reading, ± 10 Pa				
Connections	For 4–6 mm I.D. hose				

DPP-

Scale	
0 – 1 kPa	1K
0 – 2 kPa	2K
0 – 3 kPa	3K
0 – 4 kPa	4K
0 – 5 kPa	5K



DPP-	A (max.)	B	C	H	L
1K	317	60	24	243	30
2K	447	60	24	373	30
3K	578	60	24	504	30
4K	709	70	31	635	40
5K	840	70	31	766	40