

KYTOLA® Model ML Metal Tube Flow Meter is designed for medium and large liquid flows in rough conditions.

Reliable and accurate flow measurement is based on a variable area metering principle using a free-floating float.



- Stainless steel wetted parts
- High pressure and temperature resistance
- Scales up to 2 500 – 25 000 L/h (H₂O)
- ATEX version (II 2GD c TX) as option



ISO 9001 ISO 14001



METAL TUBE FLOW METER ML

FEATURES

- Reliable operation
- Compact and robust design
- Flange connections
- Clear scale

TYPICAL APPLICATIONS

- Chemical and petrochemical industry
- Power plants
- General flow measurements

OPTIONS

- Low and high flow alarms
- Threaded connections
- Stainless steel AISI 316L display housing

PRODUCT KEY

ML - - - - - -

Flow Range H ₂ O (L/h)	Flange size	Thread size						
100 – 1 000	DN25	1"	25A					
160 – 1 600	DN25	1"	25B					
250 – 2 500	DN25	1"	25C					
400 – 4 000	DN25	1"	25D					
600 – 6 000	DN50	2"	50E					
1 000 – 10 000	DN50	2"	50F					
1 600 – 16 000	DN50	2"	50G					
2 500 – 25 000	DN50	2"	50H					
Scale								
H ₂ O (L/min) at +20°C			A					
H ₂ O (L/h) at +20°C			B					
H ₂ O (m ³ /h) at +20°C			C					
Connections								
DIN/EN flange			0					
ANSI/ASME flange 150 lbs			1					
ANSI/ASME flange 300 lbs			2					
JIS flange 10 kg/cm ²			3					
JIS flange 20 kg/cm ²			4					
G female thread			5					
NPT female thread			6					
Rc female thread			7					
Sensors								
Without sensors			0					
Lower limit switch, NAMUR			1					
Upper limit switch, NAMUR			2					
Lower and upper limit switch, NAMUR			3					
Lower limit switch, PNP/NPN, 5–36 VDC, 2-wire (NC/NO selectable)*			4					
Upper limit switch, PNP/NPN, 5–36 VDC, 2-wire (NC/NO selectable)*			5					
Lower and upper limit switch, PNP/NPN, 5–36 VDC, 2-wire (NC/NO selectable)*			6					
Display Housing								
Aluminium display housing, borosilicate glass			0					
Stainless steel AISI 316 display housing, borosilicate glass			H					
Breather								
Without breather			0					
Breather for display housing**			Y					
ATEX								
Not ATEX classified			0					
ATEX classified (if alarm sensors required, only options 1, 2 and 3 allowed)			Z					

*) 3-wire limit switches on request

**) Breather in the display housing is recommended in case of wide variation of ambient or process temperature at the site of use.

DIMENSIONS, WEIGHTS AND PRESSURE CLASSES

All weights with aluminium display housing, with stainless steel display housing add 1.6 kg.

DIN/EN

Size DN	PN	A (mm)	B (mm)	C (mm)	ID (mm)	Weight (kg)
25	40	183	165	108	35	4.6
50	40	208	209	127	68	8.6

ANSI/ASME 150 lbs

Size	CL	A (mm)	B (mm)	C (mm)	ID (mm)	Weight (kg)
1"	150	179	162	108	35	3.8
2"	150	201	203	127	68	7.5

ANSI/ASME 300 lbs

Size	CL	A (mm)	B (mm)	C (mm)	ID (mm)	Weight (kg)
1"	300	187	170	108	35	4.8
2"	300	208	209	127	68	8.9

JIS 10 kg/cm²

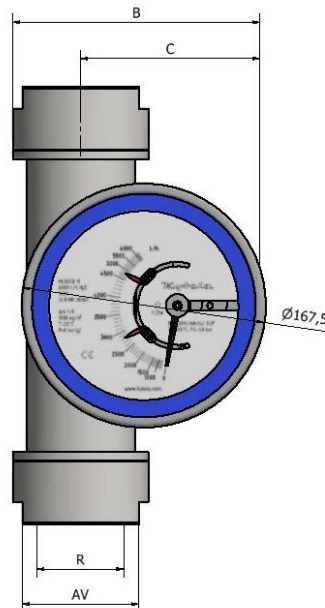
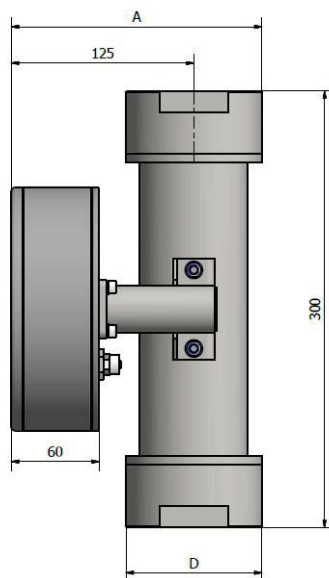
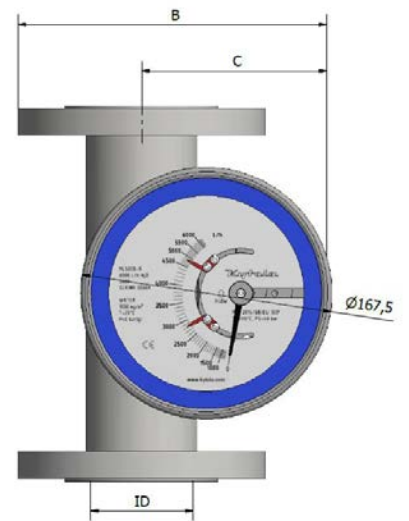
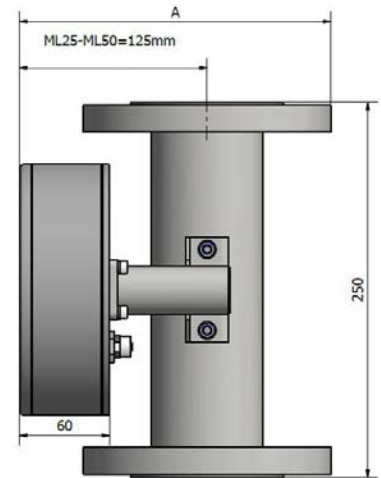
Size	K	A (mm)	B (mm)	C (mm)	ID (mm)	Weight (kg)
1"	10	188	171	108	35	4.4
2"	10	203	204	127	68	7.0

JIS 20 kg/cm²

Size	K	A (mm)	B (mm)	C (mm)	ID (mm)	Weight (kg)
1"	20	188	171	108	35	4.4
2"	20	206	204	127	68	6.7

G/NPT/Rc female thread

Size R	PN	A (mm)	B (mm)	C (mm)	D (mm)	AV (mm)	Weight (kg)
1"	40	155	138	108	60	50	3.7
2"	40	172	173	127	93	80	6.3



ML

TECHNICAL DATA

Model	ML
Flow tube	Stainless steel AISI 316L
Connectors	Stainless steel AISI 316L
Float	Stainless steel AISI 316L
Display housing	Aluminium (*stainless steel AISI 316L)
Display housing window	Borosilicate glass
Seals	Viton®
Pressure class	DN25 – DN50 flanges 40 bar ANSI/ASME flanges 150 or 300 lbs JIS flanges 10 or 20 kg/cm ²
Max process temperature	+110°C without alarm sensors +100°C with NAMUR alarm sensors +80°C with PNP/NPN alarm sensors
Max ambient temperature	+80°C
Connections	DIN/EN flanges ANSI/ASME flanges JIS flanges G/NPT/Rc female threads
Accuracy	±5% F.S. (H ₂ O at +20°C)

*) Special construction on request

Copyright © Kytola Instruments Oy 2020. Dimensions and measurements are given within normal tolerances. Manufacturer reserves the right to changes without prior notification. File ML_es10_en Published 2/2020.

Kytola
INSTRUMENTS

www.kytola.com



Kytola Instruments Oy
Olli Kytölän tie 1
FI-40950 Muurame, Finland
Tel. +358 20 779 0690
Fax +358 14 631 419
E-mail info@kytola.com