

The KYTOLA® Variable Area Flow Meter Model ExK is the multi-tube version of Kytola Model E. It is a reliable and easy-to-read instrument for measuring and monitoring liquid and gas flows.

Model ExK is perfect for multi-point cooling or purging applications where a common inlet with several outlets removes the need for multiple flow meters.



- For liquid or gas
- 2 – 12 flow tubes
- Several flow ranges
- Clear, easy-to-read scale

ISO 9001:2008 ISO 14001:2004

## FLOW METER ExK, ExH

Model ExK comes with many options, and it is also available in customized designs.

### FEATURES

Acrylic body  
Flow adjustment valves

### TYPICAL APPLICATIONS

Water and air purging  
Gas and liquid measurements  
CO<sub>2</sub> control in greenhouses

### OPTIONS

Special scale markings  
Thread adapters  
Hand knobs in valves  
Viton® or EPDM seals

Model	ExK	ExH
Valve housing / plugs	Nylon	AISI 316
Valve spindle	AISI 316	AISI 316
Body	Acrylic (PMMA)	
Seals	Nitrile (*Viton®, EPDM)	
Max. pressure	290 psi (20 bar), 435 psi at 86°F (30 bar / 30°C)	
Max. temperature	167°F (75°C)	
Connections	BSP 1/4", BSP 1/2", thread adapters must be used for NPT connections	
Accuracy	± 5% F.S. (H <sub>2</sub> O, +20°C)	
Weight	6 oz.(170 g) per flow tube	7 oz. (200 g) per flow tube

\*Special construction on request

**Tubes**Number of tubes (2-12) **x****Valve Housing / Plug Material**Nylon **K**  
AISI 316 **H****Flow Range H<sub>2</sub>O**

USGPH	L/min	Flow Range Air SCFH	Flow Range Air NL/min	
0.02 – 0.26	2 – 16 mL/min	0.2 – 2.0	0.1 – 0.8	<b>2K*</b>
0.05 – 0.50	2.5 – 30 mL/min	0.2 – 2.8	0.1 – 1.2	<b>2L*</b>
0.1 – 0.85	5 – 55 mL/min	0.5 – 4.0	0.2 – 1.8	<b>2M*</b>
0.2 – 1.4	10 – 80 mL/min	1 – 6.0	0.4 – 2.6	<b>2N*</b>
0.1 – 1.8	0.01 – 0.11	1 – 13	0.5 – 5.5	<b>3K*</b>
0.2 – 3.0	0.02 – 0.18	2 – 16	0.5 – 7	<b>3L*</b>
0.5 – 5.0	0.025 – 0.3	2 – 20	1 – 9	<b>3M*</b>
0.5 – 7.0	0.05 – 0.45	2.5 – 27.5	1 – 12	<b>3N*</b>
1 – 8.0	0.05 – 0.5	5 – 45	2 – 20	<b>4B*</b>
1 – 18	0.1 – 1.1	5 – 85	2 – 36	<b>4A*</b>
5 – 25	0.2 – 1.6	20 – 100	7.5 – 47.5	<b>5E*</b>
2.5 – 35	0.2 – 2.2	20 – 160	5 – 70	<b>5S*</b>
5 – 40	0.5 – 2.5	40 – 200	10 – 90	<b>5F*</b>

**Scale**

H<sub>2</sub>O (L/min) at +20°C (mL/min for 2K...2N) **A**  
 H<sub>2</sub>O scale USGPH (70°F) **N**  
 Air scale NL/min (20°C, 1.013 bar abs) **R**  
 Air scale SCFH (70°F, 14.7 psia) **V**  
 Dual scale USGPH H<sub>2</sub>O and SCFH air **L**  
 Relative scale 1-10 **D**

**Special Features**

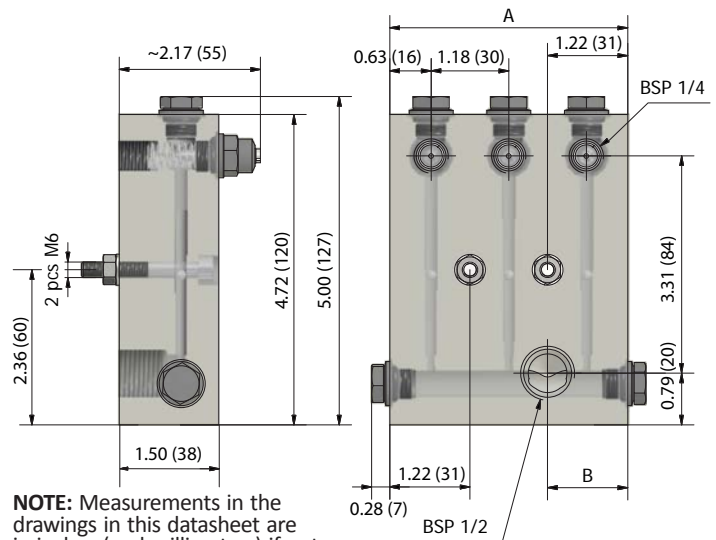
Hand knob **H**  
 Nitrile seals (standard) *leave blank*  
 Viton® seals **V**  
 EPDM seals **Y**

\* Air flow ranges (20°C/1.013 bar abs) for calibration purposes only

NOTE: Thread adapters must be used for NPT connections.

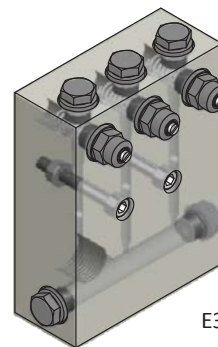
**NPT Adapters**

ZADR1/4NK Nylon thread adapter 1/4" BSP to 1/4" NPT (outlet)  
 ZADR1/4N3/8K Nylon thread adapter 1/4" BSP to 3/8" NPT (outlet)  
 ZADR1/2N3/8K Nylon thread adapter 1/2" BSP to 3/8" NPT (inlet)  
 ZADR1/2NK Nylon thread adapter 1/2" BSP to 1/2" NPT (inlet)  
 ZADR1/2N3/4K Nylon thread adapter 1/2" BSP to 3/4" NPT (inlet)

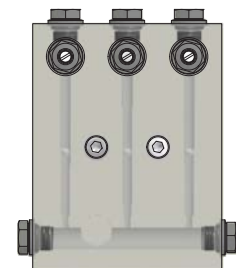


**NOTE:** Measurements in the drawings in this datasheet are in inches (and millimeters) if not stated otherwise.

	E2K	E3K	E4K	E5K	E6K	E7K	E8K	E9K	E10K	E11K	E12K
<b>A</b>	2.44 (62)	3.62 (92)	4.80 (122)	5.98 (152)	7.16 (182)	8.35 (212)	9.53 (242)	10.71 (272)	11.89 (302)	13.07 (332)	14.25 (362)
<b>B</b>	1.22 (31)	1.22 (31)	2.40 (61)	2.40 (61)	3.58 (91)	3.58 (91)	4.76 (121)	4.76 (121)	5.94 (151)	5.94 (151)	7.13 (181)



E3K front view



**Kytola**  
INSTRUMENTS

www.kytola.ca

**Kytola Instruments Inc.**

900 Old Roswell Lakes Parkway, Suite 120

Roswell, GA 30076, USA

Tel: +1 678 701 3569

Fax: +1 514 448 5151

E-mail: flow@kytola.ca