

The KYTOLA® Variable Area Flow Meter Model ExK is the multi-tube version of Kytola Model E. It is a reliable and easy-to-read instrument for measuring and monitoring liquid and gas flows.

Model ExK is perfect for multi-point cooling or purging applications where a common inlet with several outlets removes the need for multiple flow meters.



- For liquid or gas
- 2 – 12 flow tubes
- Several flow ranges
- Clear, easy-to-read scale

FLOW METER ExK

Model ExK comes with many options, and it is also available in customized designs.

FEATURES

- Acrylic body
- Flow adjustment valves

TYPICAL APPLICATIONS

- Water and air purging
- Gas and liquid measurements
- CO₂ control in greenhouses

OPTIONS

- Special scale markings
- Thread adapters
- Hand knobs in valves
- Viton® or EPDM seals

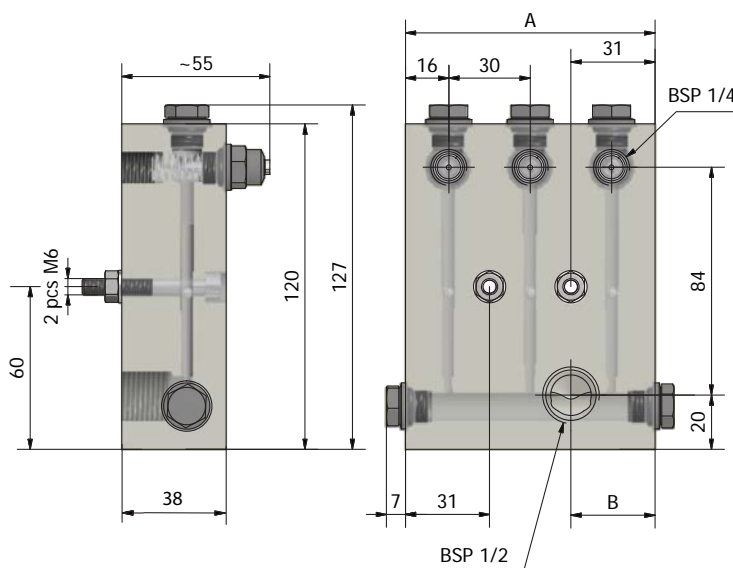
Model	ExK	ExH
Valve housing / plugs	Nylon	AISI 316
Weight	170 g per flow tube	200 g per flow tube
Valve spindle	AISI 316	
Body	Acrylic (PMMA)	
Seals	Nitrile (*Viton®, EPDM)	
Max. pressure	20 bar (30 bar / 30°C)	
Max. temperature	75°C	
Connections	BSP 1/4" outlet, BSP 1/2" inlet, thread adapters must be used for NPT	
Accuracy	± 5% F.S. (H ₂ O, +20°C)	

*Special construction on request

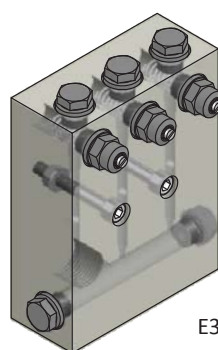
Tubes		
Number of tubes (2–12)	x	
Valve Housing / Plug Material		
Nylon		K
AISI 316		H
Flow Range		
H ₂ O	Air NL/min	
2 – 16 mL/min	0.1 – 0.8	2K*
2.5 – 30 mL/min	0.1 – 1.2	2L*
5 – 55 mL/min	0.2 – 1.8	2M*
10 – 80 mL/min	0.4 – 2.6	2N*
0.01 – 0.11 L/min	0.5 – 5.5	3K*
0.02 – 0.18 L/min	0.5 – 7	3L*
0.025 – 0.3 L/min	1 – 9	3M*
0.05 – 0.45 L/min	1 – 12	3N*
0.05 – 0.5 L/min	2 – 20	4B*
0.1 – 1.1 L/min	2 – 36	4A*
0.2 – 1.6 L/min	7.5 – 47.5	5E*
0.2 – 2.2 L/min	5 – 70	5S*
0.5 – 2.5 L/min	10 – 90	5F*
Scale		
H ₂ O (L/min) at +20°C		A
Air (NL/min) at +20°C / 1.013 bar (abs)		R
Special Features		
Hand knob		H
Nitrile seals (standard)	blank	
Viton® seals		V

* Air flow ranges (20°C/1.013 bar abs) for calibration purposes only

NOTE: Thread adapters must be used for NPT connections.



	E2K	E3K	E4K	E5K	E6K	E7K	E8K	E9K	E10K	E11K	E12K
A	62	92	122	152	182	212	242	272	302	332	362
B	31	31	61	61	91	91	121	121	151	151	181



E3K front view

