

KYTOLA Oval Gear Meter Model 6210 is designed for measuring and monitoring of corrosive and viscous liquids.

The model 6210 oval gear meter is a positive displacement flow meter, which always shows the correct flow rate regardless of liquid temperature and viscosity changes.



- For liquid
- Several flow ranges
- Max. 8 USGPM (30 L/min)
- Large viscosity range
30 – 1000 cSt
- Alternative materials
- ATEX version (II 2GD c TX) as option



ISO 9001 ISO 14001

OVAL GEAR METER 6210

The flow meter consists of two elliptical gears, which the flow rotates. An inductive proximity sensor picks up the rotation, and the pulse signal can be transferred to indicators, counters or automation systems.

FEATURES

Independent of viscosity and temperature changes

Chemical resistant materials

Pulse output

TYPICAL APPLICATIONS

Chemical dosing

Industrial flow monitoring

Process control

OPTIONS

Thread adapters

Alternative sensors

Model	6210-1	6210-2	6210-4	6210-10	6210-20	6210-30
Output pulses/pint (liter)	388 (820)	212 (450)	137.2 (290)	60 (126.8)	35.87 (75.8)	23.56 (49.8)
Output pulses/US gal	3100	1700	1098	480	286.9	188.5
Weight lbs (kg)	0.72 (0.33)	0.77 (0.35)	0.79 (0.36)	2.0 (0.93)	2.2 (1.0)	2.6 (1.2)
Connections BSP (*NPT adapters)	1/4"	1/4"	1/4"	3/4"	3/4"	3/4"
Gears	PVDF					
Body	PVDF or PVC					
Shafts	Hastelloy C					
Seals	Viton® (*EPDM)					
Sensor	NAMUR; EN 60947 (*Other types of inductive proximity sensor)					
Max. pressure	145 psi (10 bar) up to maximum temperature					
Max. temperature	175°F / 80°C (PVDF body), 104°F / 40°C (PVC body)					
Viscosity range	30 – 1000 cSt					
Accuracy	±5% of reading			* Special construction on request		

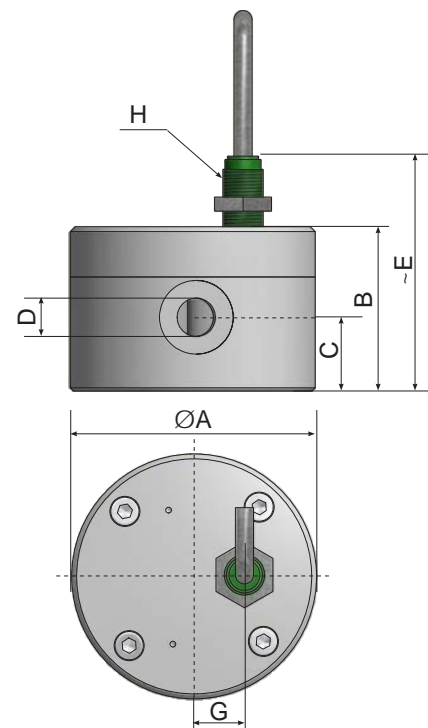
Flow Range			Character
PPM	GPM	L/min	
0.2 – 2	1.50 – 15 GPH	0.1 – 1	1
0.4 – 4	3.0 – 32 GPH	0.2 – 2	2
0.8 – 8	0.1 – 1	0.4 – 4	4
2.0 – 20	0.25 – 2.5	1.0 – 10	10
4.0 – 40	0.5 – 5	2.0 – 20	20
6.0 – 64	0.8 – 8	3.0 – 30	30
Body			
PVDF			K
PVC			P
Connections			
BSP threads			blank
NPT thread adapters			N
Seals			
Viton			blank
EPDM			Y
Sensor			
NAMUR sensor			blank
Without sensor (M12 x 1 thread)			D
PNP-NPN sensor (2-wire) ILK-M12-FR			F
PNP sensor (3-wire) ILK-M12-BP			P
NPN sensor (3-wire) ILK-M12-AN			T
Special Feature			
ATEX version – only with NAMUR sensor			Z

Standard feature: leave blank
Special feature: choose Character

NPT adapters

SRMADR1/4NKYN - PVC thread adapter, 1/4" BSP to 1/4" NPT (for 6210-1...4-K-N)
SRMADR3/4NKYN - PVC thread adapter, 3/4" BSP to 3/4" NPT (for 6210-10...30-K-N)
SRMADR1/4NPVC - PVC thread adapter, 1/4" BSP to 1/4" NPT (for 6210-1...4-P-N)
SRMADR3/4NPVC - PVC thread adapter, 3/4" BSP to 3/4" NPT (for 6210-10...30-P-N)

NOTE: Measurements in the drawings in this datasheet are in inches (and millimeters) if not stated otherwise.



	A	B	C	D
6210-1	2.78(73)	1.77(45)	0.71(18)	BSP 1/4"
6210-2	2.78(73)	1.77(45)	0.71(18)	BSP 1/4"
6210-4	2.78(73)	1.93(49)	0.87(22)	BSP 1/4"
6210-10	4.25(108)	2.64(67)	1.06(27)	BSP 3/4"
6210-20	4.25(108)	2.64(67)	1.06(27)	BSP 3/4"
6210-30	4.25(108)	3.43(87)	1.06(27)	BSP 3/4"

	E	G	H
6210-1	3.54(90)	0.59(15)	M12x1
6210-2	3.54(90)	0.59(15)	M12x1
6210-4	3.70(94)	0.59(15)	M12x1
6210-10	4.13(105)	0.98(25)	M12x1
6210-20	4.13(105)	0.98(25)	M12x1
6210-30	4.92(125)	0.98(25)	M12x1