

Kytola® Oval Gear Meter Model SRO is designed for oil flow measurement at high flow rate in demanding industrial environments.



- For oil
- Flow rates from 2.6 USGPM (10 L/min) up to 53 USGPM (200 L/min)
- Large viscosity range 30–1000 cSt
- Pulse output
- Robust transparent cover provides highly visible oil flow indication

ISO 9001:2008 ISO 14001:2004

## OVAL GEAR METER SRO

The model SRO Oval Gear Meter is a positive displacement meter, which always shows the correct flow rate regardless of oil temperature or viscosity changes.

### FEATURES

Independent of viscosity changes

Sturdy construction

### TYPICAL APPLICATIONS

Lubrication oil flow monitoring

Industrial flow monitoring

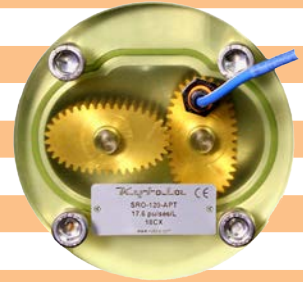
Process control

### OPTIONS

Alternative sensors

BSP or NPT connections

Model	SRO-120	SRO-200
Output	66.6 pulses/US gal (17.6 pulses/L)	31.8 pulses/US gal (8.4 pulses/L)
Weight	9 lbs (4 kg)	11 lbs (5 kg)
Gears	Brass	
Body	Aluminium	
Cover	Trogamid-T	
Seals	Viton®	
Max. pressure	145 psi (10 bar), *290 psi (20 bar) with support cover	
Pressure drop	5.1 psi (0.35 bar) at max. flow (150 cSt oil)	
Max. temperature	176°F (80°C)	
Viscosity range	30–1000 cSt	
Connections	BSP/NPT 1 1/2"	
Sensor	NAMUR; DIN 19234 (*Other types of inductive proximity sensors)	
Accuracy	±5% of reading	

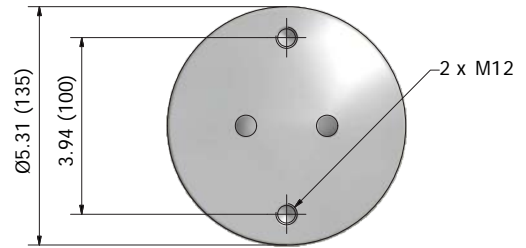


\*) Special construction on request

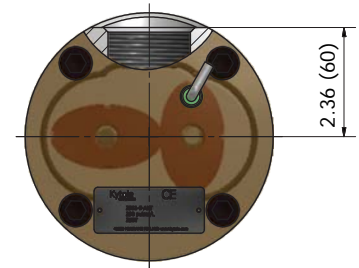
SRO- [ ] - [ ] [ ] [ ] - [ ] [ ]	
<b>Flow Range</b>	
10–120 L/min 2.6–32 USGPM	<b>120</b>
20–200 L/min 5.3–53 USGPM	<b>200</b>
<b>Body</b>	
Aluminium	<b>A</b>
<b>Gears</b>	
Brass	<b>P</b>
<b>Cover</b>	
Trogamid	<b>T</b>
<b>Sensor</b>	
NAMUR	<i>blank</i>
Without sensor (M12x1 thread)	<b>D</b>
PNP/NPN (2-wire)	<b>F</b>
PNP (3-wire)	<b>P</b>
NPN (3-wire)	<b>T</b>
<b>Connections</b>	
BSP threads	<i>blank</i>
NPT threads	<b>N</b>

Standard feature: leave *blank*  
Special feature: choose Character

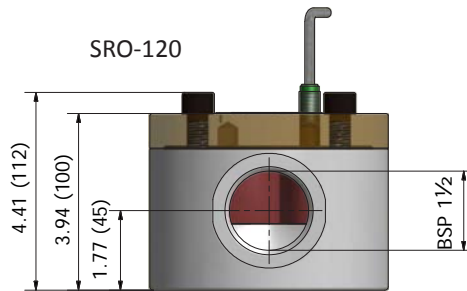
SRO-120/SRO-200



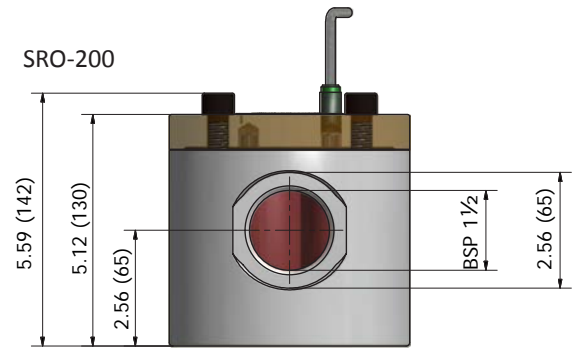
SRO-120/SRO-200



SRO-120



SRO-200



**NOTE:** Measurements in the drawings in this datasheet are in inches (and millimeters) if not stated otherwise.