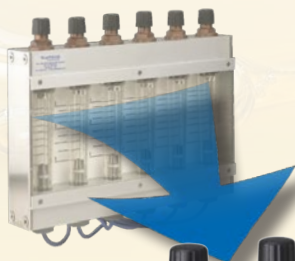


KYTOLA® Model SRV Oval Gear Meter is optimized for upgrading the existing KYTOLA® Model V variable area flow meter. The upgrade is easy and cost-effective since it does not require any changes to the existing piping.



## UPGRADE BLOCK SRV

The Model SRV Oval Gear Meter is a positive displacement meter, which always shows the correct flow rate regardless of oil temperature or viscosity changes.

- Single or multi-point block
- Easy to install
- Pulse output
- Robust transparent cover provides highly visible oil flow indication
- Several flow ranges

### FEATURES

Viscosity range 30 – 1000 cSt

Max. pressure 145 psi (10 bar),  
290 psi (20 bar) with a special  
construction)

Max. temperature 176°F (+80°C)

Accuracy ±5% of reading

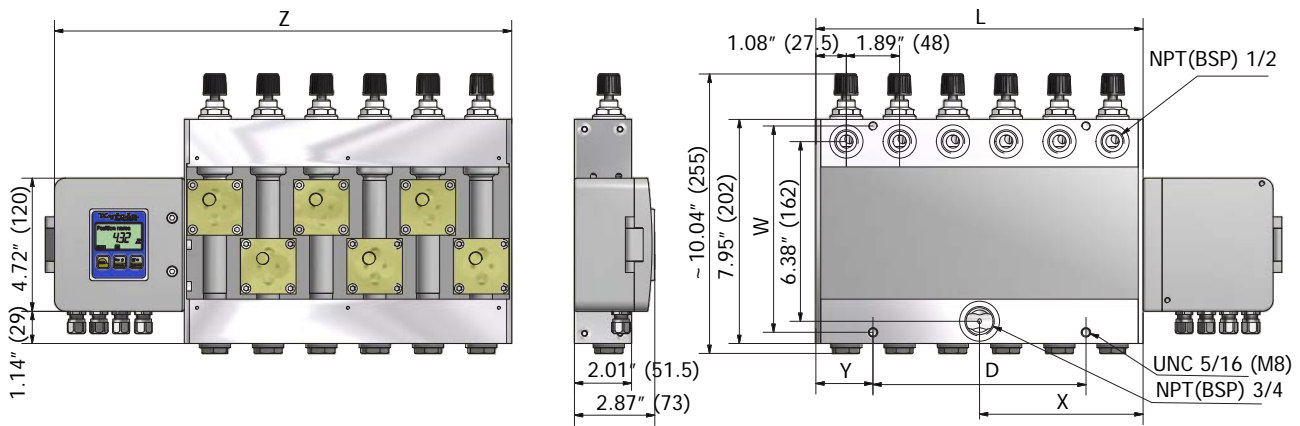
### TYPICAL APPLICATIONS

Lubrication oil flow monitoring

Industrial flow monitoring

Process control

<b>Model</b>	<b>SRV</b>							
Number of measuring points	1 – 7							
End blocks, oval gear meter body	Aluminium							
Valves	Aluminium, AISI 316							
Gears	Composite polymer							
Cover	Trogamid-T							
Seals	Viton®							
Sensor	Kytola coil or NAMUR sensor; EN 60947							
Connections	Single tube model: NPT 1/2" or BSP 1/2" Multi-tube models: Common inlet NPT 3/4" or BSP 3/4", separate outlets NPT 1/2" or BSP 1/2"							
Weight, local display included lbs (kg)	SRV1 3.3 (1.5)	SRV2 5.3 (2.4)	SRV3 7.3 (3.3)	SRV4 9.2 (4.2)	SRV5 11.2 (5.1)	SRV6 13.2 (6.0)	SRV7 15.2 (6.9)	



<b>SRV</b>	—	—	—	—	—	—	—	—	—
Number of measuring points	1-7								
<b>Flow Range</b>									
<b>PPM</b>									
<b>LPM</b>									
0.2 – 2	0.1 – 1	1							
0.4 – 5	0.2 – 2.5	2.5							
1.2 – 12	0.6 – 6	6							
<b>Connections</b>									
BSP threads	R								
NPT threads	N								
<b>Sensor</b>									
Kytola coil	C								
NAMUR	A								
<b>Oval Min-E Local Display</b>									
Single channel model with mA and relay output	1								
Multi-channel model (1-8 channels) with relay output	8								
<b>Special Feature</b>									
mA output on multi-channel model (8 pcs)	M								
Without mA output	0								
<b>Local Display Mounting (Multi-channel Model)</b>									
On the left of the SRV meter, standard	A								
On the right of the SRV meter	B								
To be mounted separately from the SRV meter	C								

	SRV2	SRV3	SRV4	SRV5	SRV6	SRV7
L	4.05"(103)	5.94"(151)	7.83"(199)	9.72"(247)	11.61"(295)	13.50"(343)
X	2.03"(51.5)	2.03"(51.5)	3.92"(99.5)	3.92"(99.5)	5.81"(147.5)	5.81"(147.5)
D	-	5.20"(132)	3.78"(96)	5.67"(144)	7.56"(192)	9.45"(240)
W	6.93"(176)	6.93"(176)	7.32"(186)	7.32"(186)	7.32"(186)	7.32"(186)
Y	0.37"(9.5)	0.37"(9.5)	2.03"(51.5)	2.03"(51.5)	2.03"(51.5)	2.03"(51.5)
Z	8.66"(220)	10.55"(268)	12.44"(316)	14.33"(364)	16.22"(412)	18.11"(460)

