

Kytola® Oval Gear Meter model SRO is designed for oil flow measurement at high flow rates in demanding industrial environments.



- For oil
- Flow rates from 10 L/min up to 200 L/min
- Large viscosity range 30–1000 cSt
- Pulse output
- Robust transparent cover provides highly visible oil flow indication

ISO 9001 ISO 14001

OVAL GEAR METER SRO

The model SRO Oval Gear Meter is a positive displacement meter, which always shows the correct flow rate regardless of oil temperature or viscosity changes.

FEATURES

Independent of viscosity changes

Sturdy construction

TYPICAL APPLICATIONS

Lubrication oil flow monitoring

Industrial flow monitoring

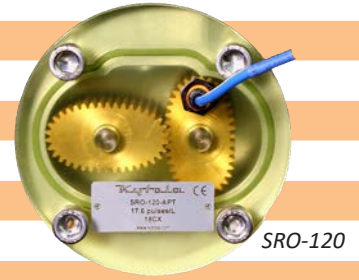
Process control

OPTIONS

Alternative sensors

BSP or NPT connections

Model	SRO-120	SRO-200
Output	17.6 pulses/L	8.4 pulses/L
Weight	4 kg	5 kg
Gears	Brass	
Body	Aluminium	
Cover	Trogamid-T	
Seals	Viton®	
Max. pressure	10 bar (*20 bar with support cover)	
Pressure drop	0.35 bar at max. flow (150 cSt oil)	
Max. temperature	+ 80°C	
Viscosity range	30–1000 cSt	
Connections	1 1/2"	
Sensor	NAMUR; EN 60947 (*Other types of inductive proximity sensors)	
Accuracy	±5% of reading	

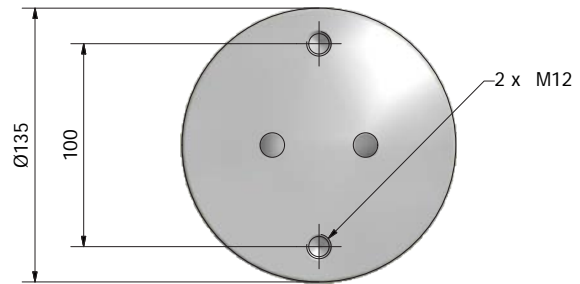


*) Special construction on request

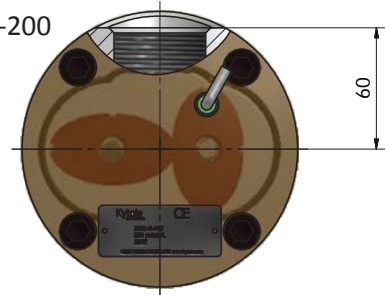
SRO- [] - [] [] [] - [] []	
Flow Range	
10–120 L/min	120
20–200 L/min	200
Body	
Aluminium	A
Gears	
Brass	P
Cover	
Trogamid	T
Sensor	
NAMUR	<i>blank</i>
Without sensor (M12x1 thread)	D
PNP/NPN (2-wire)	F
PNP (3-wire)	P
NPN (3-wire)	T
Connections	
BSP threads	<i>blank</i>
NPT threads	N

Standard feature: leave *blank*
Special feature: choose Character

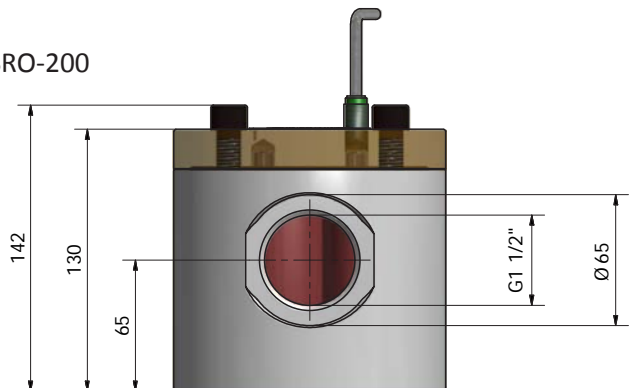
SRO-120/SRO-200



SRO-120/SRO-200



SRO-200



SRO-120

