

KYTOLA® Model SRV Oval Gear Meter is optimized for upgrading the existing Kytola model V variable area flow meter. The upgrade is easy and cost-effective since it does not require any changes to the existing piping.



UPGRADE BLOCK SRV

The Model SRV Oval Gear Meter is a positive displacement meter, which always shows the correct flow rate regardless of oil temperature or viscosity changes. It enables versatile flow and flow alarm monitoring and connectivity to upper control systems.

- Single or multi-channel block
- Easy to install
- Pulse output
- Robust transparent cover provides highly visible oil flow indication
- Several flow ranges

FEATURES

Viscosity range 30 – 1000 cSt

Max. pressure 10 bar (20 bar with a special construction)

Max. temperature +80°C

Accuracy $\pm 5\%$ of reading

TYPICAL APPLICATIONS

Lubrication oil flow monitoring

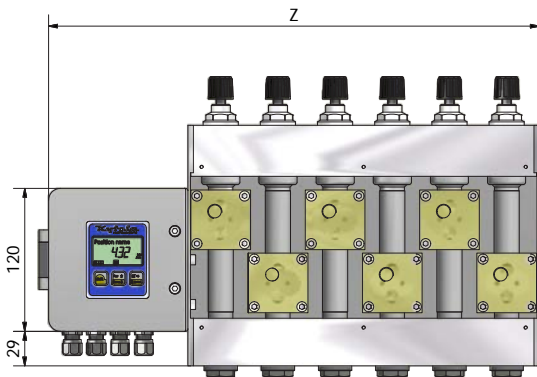
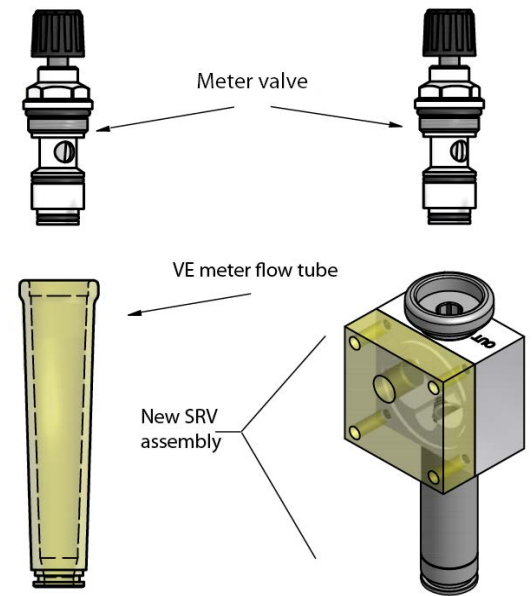
Industrial flow monitoring

Process control

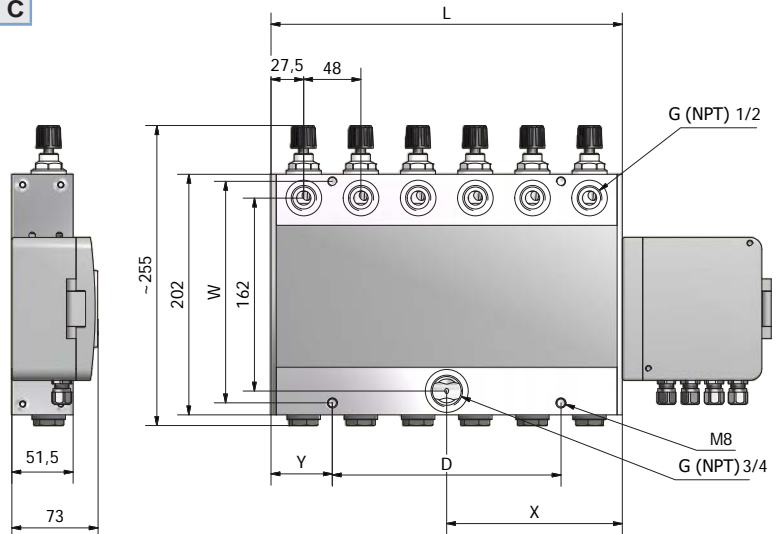
Model	SRV														
Number of measuring points	1 – 7														
End blocks, oval gear meter body	Aluminium														
Valves	Aluminium, AISI 316														
Gears	Composite polymer														
Cover	Polyamid														
Seals	Viton®														
Sensor	Kytola coil or NAMUR; EN 60947														
Connections	Single tube model: G 1/2" or NPT 1/2" Multi-tube models: Common inlet G 3/4" or NPT 3/4", separate outlets G 1/2" or NPT 1/2"														
Weight (Local display included)	<table border="1"> <thead> <tr> <th>SRV1</th> <th>SRV2</th> <th>SRV3</th> <th>SRV4</th> <th>SRV5</th> <th>SRV6</th> <th>SRV7</th> </tr> </thead> <tbody> <tr> <td>1.5 kg</td> <td>2.4 kg</td> <td>3.3 kg</td> <td>4.2 kg</td> <td>5.1 kg</td> <td>6.0 kg</td> <td>6.9 kg</td> </tr> </tbody> </table>	SRV1	SRV2	SRV3	SRV4	SRV5	SRV6	SRV7	1.5 kg	2.4 kg	3.3 kg	4.2 kg	5.1 kg	6.0 kg	6.9 kg
SRV1	SRV2	SRV3	SRV4	SRV5	SRV6	SRV7									
1.5 kg	2.4 kg	3.3 kg	4.2 kg	5.1 kg	6.0 kg	6.9 kg									

SRV	
Number of measuring points	1-7
Flow Range	
0.1 – 1 L/min	1
0.2 – 2.5 L/min	2.5
0.6 – 6 L/min	6
Connections	
G threads	R
NPT threads	N
Sensor	
Kytola coil	C
NAMUR	A
Oval Min-E Local Display	
Single channel model with mA and relay output	1
Multi-channel model (1-8 channels) with relay output	8
Special Feature	
mA output on multi-channel model (8 pcs)	M
Without mA output	O
Local Display Mounting (Multi-channel Model)	
On the left of the SRV meter, standard	A
On the right of the SRV meter	B
Separately from the SRV meter	C

Model VE Variable area type flow meter
New SRV Oval Gear Meter



	SRV2	SRV3	SRV4	SRV5	SRV6	SRV7
L	103	151	199	247	295	343
X	51.5	51.5	99.5	99.5	147.5	147.5
D	-	132	96	144	192	240
W	176	176	186	186	186	186
Y	9.5	9.5	51.5	51.5	51.5	51.5
Z	220	268	316	364	412	460



Copyright © Kytola Instruments Oy 2019. Dimensions and measurements are given within normal tolerances. Manufacturer reserves the right to changes without prior notification. SRV_es22_en Published: 1.5/2019.