

KYTOLA Oval Gear Meter Model 2951 is designed and developed for lubrication oil measurement in demanding industrial environments.

The oval gear meter is a positive displacement flow meter, which always shows the correct flow rate regardless of oil temperature or viscosity changes.



- For oil
- Max 100 L/min
- Alternative pulse sensors
- G or NPT connections
- With flow adjustment valve
- ATEX version (II 2GD c TX) as option



ISO 9001 ISO 14001

OVAL GEAR METER 2951

The flow meter consists of two elliptical gears, which the flow rotates. A coil sensor or an inductive proximity switch picks up the rotation, and the pulse signal can be transferred to indicators, counters or automation systems.

FEATURES

Several flow ranges

Large viscosity range
30 – 1000 cSt

Independent of viscosity changes

Sturdy construction

Pulse output

TYPICAL APPLICATIONS

Lubricant monitoring

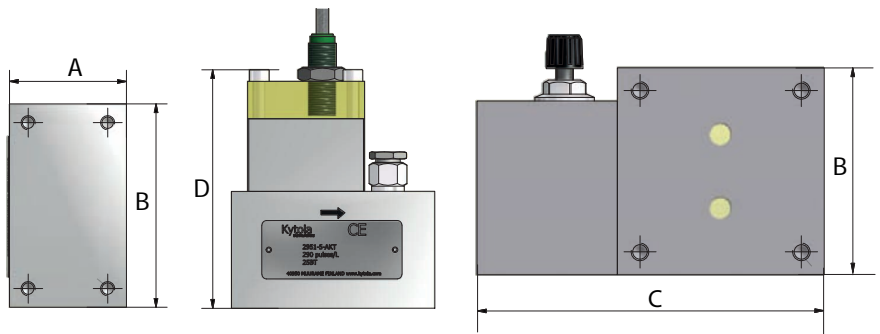
Industrial flow monitoring

Process control

Model	2951-1	2951-2	2951-5	2951-10	2951-20	2951-30	2951-60	2951-100
Output (pulses/L)	820	450	290	126.8	75.8	49.8	22.4	12.4
Weight	910 g	900 g	880 g	1.8 kg	1.8 kg	2.5 kg	4.9 kg	13.5 kg
Connections	1/4"	1/4"	1/4"	3/4"	3/4"	3/4"	1 1/2"	1 1/2"
Gears	Composite polymer or bronze; EN 1982 (depending on range)							
Body	Aluminium							
Cover	Polyamide							
Valve	AISI 316							
Seals	Viton®							
Sensor	NAMUR; EN 60947 (*Other types of inductive proximity sensor)							
Max. pressure	10 bar							
Max. temperature	+80°C							
Viscosity range	30 – 1000 cSt							
Accuracy	±5% of reading							

* Special construction on request

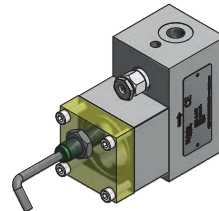
Model	A	B	C	D
2951-1	50	87	-	102
2951-2	50	87	-	102
2951-5	50	87	-	102
2951-10	80	135	-	75
2951-20	80	135	-	75
2951-30	80	135	-	95
2951-60	118	-	198	107
2951-100	199	-	279	117



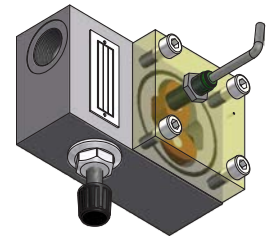
2951-	-A	-	-	-	-
Flow Range					
0.1 – 1	L/min	1			
0.2 – 2	L/min	2			
0.5 – 5	L/min	5			
1 – 10	L/min	10			
2 – 20	L/min	20			
3 – 30	L/min	30			
6 – 60	L/min	60			
10 – 100	L/min	100			
Gears					
Composite polymer (1–5 L/min)		K			
Bronze (10–100 L/min)		P			
Cover					
Polyamide				T	
Connections					
G threads					<i>blank</i>
NPT threads					N
Sensor					
NAMUR					<i>blank</i>
Without sensor (M12 x 1 thread)					D
PNP/NPN (2-wire) 10–55 VDC					F
PNP (3-wire)					P
NPN (3-wire)					T
Coil sensor (compatible with Kytola readout units)					C
Special Feature					
ATEX version – only with NAMUR sensor					Z

Standard feature: leave *blank*
Special feature: choose Character

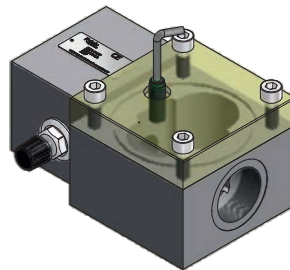
2951-1 ... 2951-5



2951-10 ... 2951-30



2951-60



2951-100

