

The KYTOLA® Oval Gear Meter Model SR is designed and developed for lubrication oil measurement in demanding industrial environments.

The Model SR oval gear meter is a positive displacement meter which always shows the correct flow rate regardless of oil temperature or viscosity changes.



- For oil
- Single or multi-channel models
- Max. 254 PPM (120 LPM)
- Kytola coil or NAMUR sensors
- NPT or BSP connectors
- Flow adjustment valves
- ATEX version (II 2GD c TX) as option



ISO 9001:2008 ISO 14001:2004

## OVAL GEAR METER SR

### FEATURES

Large viscosity range  
30 – 1000 cSt

Independent of viscosity and  
temperature changes

Transparent cover provides  
highly visible oil flow indication

Pulse output

Sturdy construction

By-pass valves for service  
“on the run”

### TYPICAL APPLICATIONS

Lubrication oil flow monitoring

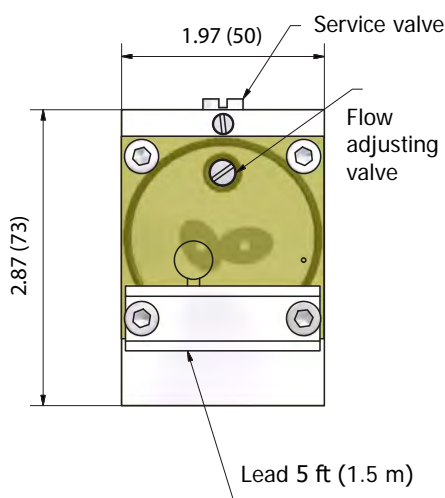
Industrial flow monitoring

Process control

# SR-x Single Channel

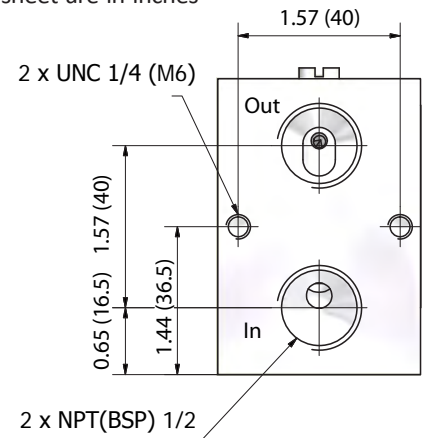
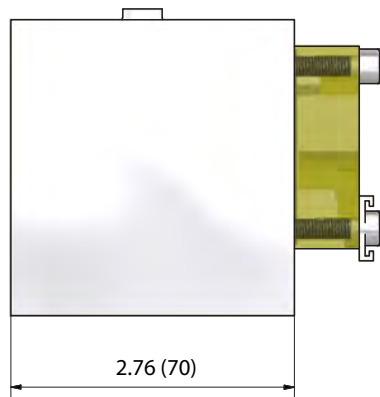
# TECHNICAL DATA

Model	SR-1	SR-2.5	SR-6
Output pulses/pint (pulses/liter)	993.7 (2100)	502.5 (1062)	137.2 (290)
Connections NPT/BSP	1/2"	1/2"	1/2"
Weight	1.3 lbs (0.6 kg)	1.3 lbs (0.6 kg)	1.3 lbs (0.6 kg)
Gears	Composite polymer		
Body	Aluminium		
Cover	Polyamide		
Valve	AISI 316		
Seals	Viton®		
Sensor	Kytola coil (compatible with Kytola measuring stations) or NAMUR; DIN 19234		
Max. pressure	145 psi (10 bar), 290 psi (20 bar)*		
Max. temperature	+176°F (+80°C)		
Viscosity range	30 – 1000 cSt		
Accuracy	±5 % of reading		* Special construction on request



**NOTE:**

Measurements in the drawings in this datasheet are in inches (and millimeters) if not stated otherwise.



SR-    -8850-       S   

Flow Range		
PPM	LPM	
0.2 – 2	0.1 – 1	1
0.4 – 5	0.2 – 2.5	2.5
1.2 – 12	0.6 – 6	6

Connections	
BSP threads	blank
NPT threads	N

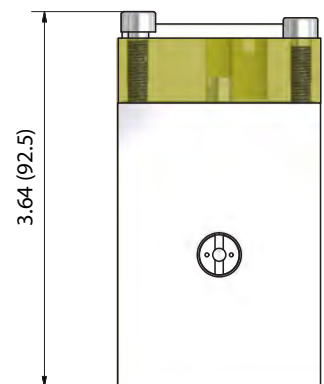
Sensor	
Kytola coil (Compatible with Kytola measuring stations)	blank
NAMUR	A
Without sensor (M12 x 1 thread)	D

Special Feature	
ATEX version – only with NAMUR sensor, please choose A and Z	Z

Standard feature: leave blank  
Special feature: choose Character

SR-2.5



www.kytola.ca



**Kytola Instruments Inc.**

900 Old Roswell Lakes Parkway, Suite 120  
Roswell, GA 30076, USA  
Tel: +1 678 701 3569  
Fax: +1 514 448 5151  
E-mail: flow@kytola.ca

# SR Single Channel

# TECHNICAL DATA

Model	SR-10	SR-20	SR-30	SR-60	SR-120
Output, pulses/pint (pulses/liter)	60 (126.8)	35.87 (75.8)	23.56 (49.8)	10.6 (22.4)	8.33 (17.6)
Connections NPT/BSP	1"	1"	1"	1½"	1½"
Weight lbs (kg)	3.7 (1.7)	4.2 (1.9)	5.7 (2.6)	11 (5.0)	11 (5.0)
Gears	Brass				
Body	Aluminium				
Cover	PA				
Valve spindle	AISI 316				
Seals	Viton®				
Sensor	Kytola coil (compatible with Kytola measuring stations) or NAMUR; DIN 19234				
Max. pressure	145 psi (10 bar), 290 psi (20 bar)*				
Max. temperature	+176°F (+80°C)				
Viscosity range	30 – 1000 cSt				
Accuracy	±5 % of reading				

\* Special construction on request

SR-

Flow Range		
PPM	L/min	
2 – 21	1 – 10	<b>10</b>
4 – 42	2 – 20	<b>20</b>
6 – 63	3 – 30	<b>30</b>
12 – 127	6 – 60	<b>60</b>
21 – 254	10 – 120	<b>120</b>

Connection Type		
End connections (SR-10...60)		<b>7844</b>
Back connections (SR-10...30)		<b>8850</b>
Back connections (SR-60...120)		<b>BH51</b>

Connections		
BSP threads		<i>blank</i>
NPT threads		<b>N</b>

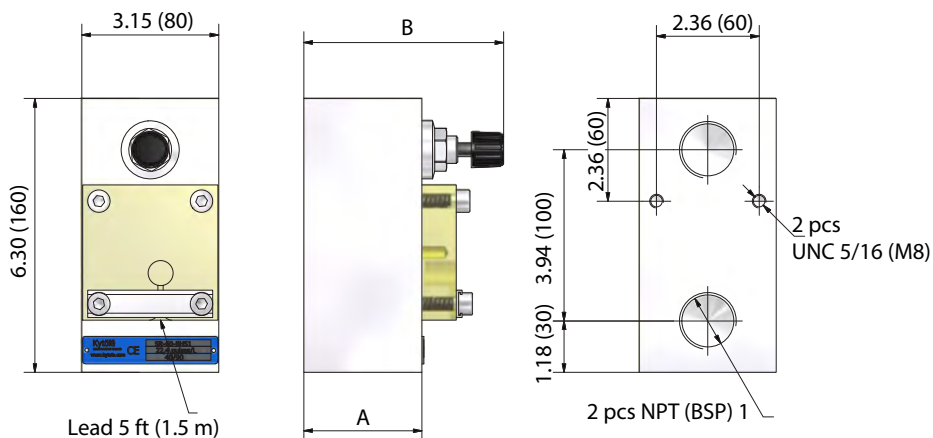
Sensors		
Kytola coil (Compatible with Kytola measuring stations)		<i>blank</i>
NAMUR		<b>A</b>
Without sensor (M12 x 1 thread)		<b>D</b>

Special Feature		
ATEX version – only with NAMUR sensor, please choose A and Z		<b>Z</b>

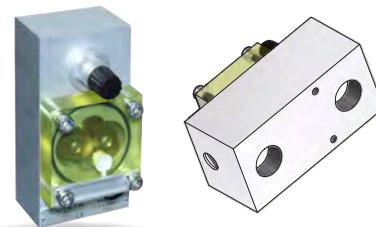
Standard feature: leave *blank*  
Special feature: choose Character

## SR-10...30

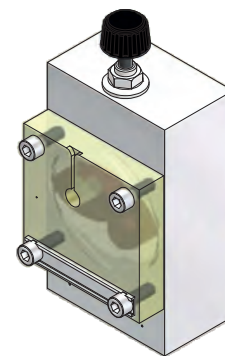
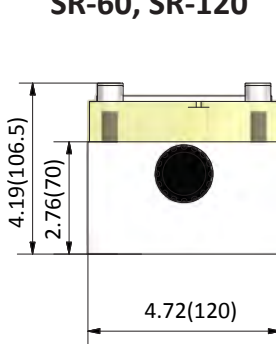
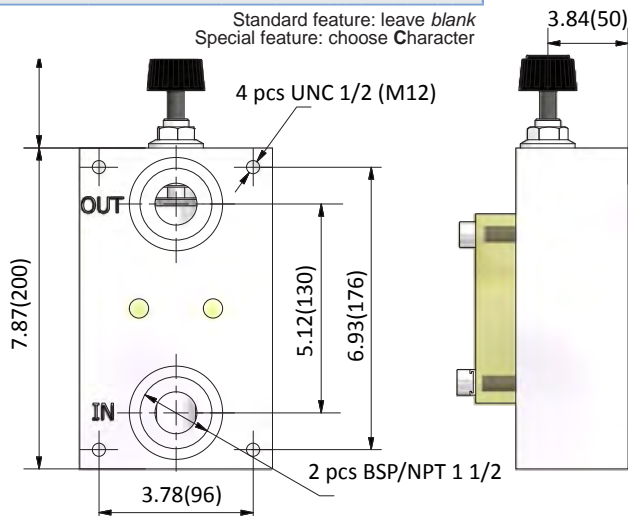


Model	A	B
SR-10	1.93 (49)	3.78 (96)
SR-20	1.93 (49)	3.78 (96)
SR-30	2.72 (69)	4.57 (116)

SR-10



## SR-60, SR-120



**Kytola**  
INSTRUMENTS

www.kytola.ca



**Kytola Instruments Inc.**

900 Old Roswell Lakes Parkway, Suite 120  
Roswell, GA 30076, USA  
Tel: +1 678 701 3569  
Fax: +1 514 448 5151  
E-mail: flow@kytola.ca

# SRx-x Multi-Channel

# TECHNICAL DATA

Model	SRx-1	SRx-2.5	SRx-6
Output pulses/pint (pulses/liter)	993.7 (2100)	502.5 (1062)	137.2 (290)
Connections NPT/BSP	1/2"	1/2"	1/2"
Weight	SR4: 5.5 lbs (2.5 kg)	SR6: 7.7 lbs (3.5 kg)	SR8: 9.9 lbs (4.5 kg)
Gears	Composite polymer		
Body	Aluminium		
Cover	Polyamide		
Valve	AISI 316		
Seals	Viton®		
Sensor	Kytola coil (compatible with Kytola measuring stations) or NAMUR; DIN 19234		
Max. pressure	145 psi (10 bar), 290 psi (20 bar)*		
Max. temperature	+176°F (+80°C)		
Viscosity range	30 – 1000 cSt		
Accuracy	±5 % of reading		* Special construction on request

SR6-1

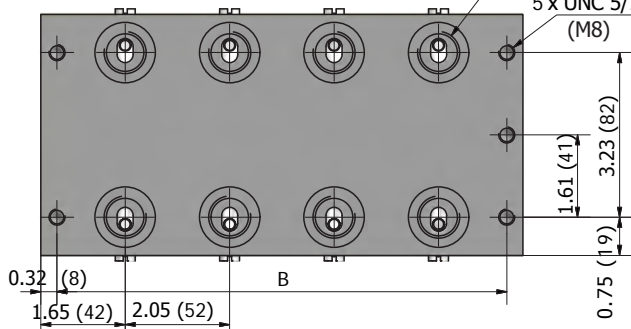


SR8-1

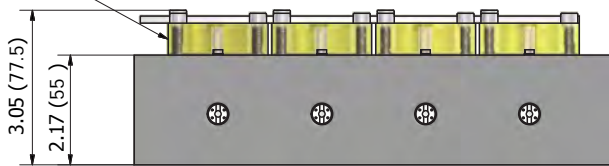


NPT(BSP) 1/2

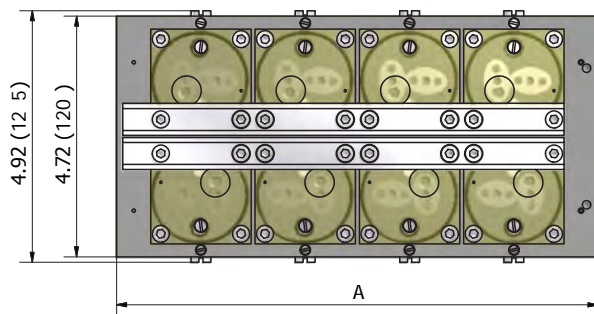
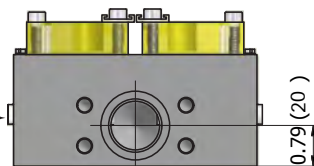
5 x UNC 5/16 (M8)



Leads 5 ft (1.5 m)



2.13 (54) free distance for service



x	A	B
4	5.35 (136)	4.72 (120)
6	7.40 (188)	6.77 (172)
8	9.45 (240)	8.89 (224)

SR  -  - MD33 -  S

### Multi-channel Model

4 measuring points	4
6 measuring points	6
8 measuring points	8

### Flow Range

PPM	LPM	
0.2 – 2	0.1 – 1	1
0.4 – 5	0.2 – 2.5	2.5
1.2 – 12	0.6 – 6	6

### Sensor

Kytola coil (Compatible with Kytola measuring stations)	blank
NAMUR	A
Without sensor (M12 x 1 thread)	D

### Connections

BSP threads	blank
NPT threads	N

Service valve (standard)

### Special Feature

ATEX version – only with NAMUR sensor, please choose A and Z

Standard feature: leave blank  
Special feature: choose Character

**Kytola**  
INSTRUMENTS

www.kytola.ca



**Kytola Instruments Inc.**

900 Old Roswell Lakes Parkway, Suite 120

Roswell, GA 30076, USA

Tel: +1 678 701 3569

Fax: +1 514 448 5151

E-mail: flow@kytola.ca