

KYTOLA Oval Gear Meter Model 2950 is designed and developed for lubrication oil measurement in demanding industrial environments.

The oval gear meter is a positive displacement flow meter, which always shows the correct flow rate regardless of oil temperature or viscosity changes.



- For oil
- Max 18 USGPM (70 L/min)
- Transparent cover
- Alternative pulse sensors
- G or NPT connections
- Without flow adjustment valve
- ATEX version (II 2GD c TX) as option



ISO 9001 ISO 14001

OVAL GEAR METER 2950

The flow meter consists of two elliptical gears, which the flow rotates. A coil sensor or an inductive proximity switch picks up the rotation, and the pulse signal can be transferred to indicators, counters or automation systems.

FEATURES

Several flow ranges

Large viscosity range
30 – 1000 cSt

Transparent cover provides highly visible oil flow indication

Independent of viscosity changes

Sturdy construction

Pulse output

TYPICAL APPLICATIONS

Lubricant monitoring

Industrial flow monitoring

Process control

2950

TECHNICAL DATA

Model	2950-1	2950-3	2950-6	2950-15	2950-30	2950-70
Flow range PPM	0.2 – 3	0.4 – 6	1 – 12			
Flow range USGPM				0.25 – 4	0.5 – 8	1.3 – 18
Flow range L/min	0.1 – 1.5	0.2 – 3	0.5 – 6	1 – 15	2 – 30	5 – 70
Output pulses/pint (pulses/L)	993.7 (2100)	502.5 (1062)	137.2 (290)	60 (126.8)	35.87 (75.8)	10.6 (22.4)
Connections G/NPT	1/4"	1/4"	1/4"	3/4"	3/4"	1"
Body	Aluminium			Bronze; EN 1982		
Gears	Composite polymer			Bronze; EN 1982		
Cover	Polyamide					
Seals	Viton®					
Sensor	NAMUR; EN 60947 (*Other types of inductive proximity sensor)					
Max. pressure	145 psi (10 bar) up to maximum temperature					
Max. temperature	176°F (80°C)					
Viscosity range	30 – 1000 cSt					
Weight lbs (kg)	0.60 (0.27)	0.55 (0.26)	0.61 (0.28)	2.4 (1.1)	2.4 (1.1)	7.4 (3.4)
Accuracy	±5% of reading			* Special construction on request		

2950- ■ - ■ - ■ - ■

Flow Range			
PPM	USGPM	L/min	
0.2 – 3		0.1 – 1.5	1
0.4 – 6		0.2 – 3	3
1 – 12		0.5 – 6	6
	0.25 – 4	1 – 15	15
	0.5 – 8	2 – 30	30
	1.3 – 18	5 – 70	70

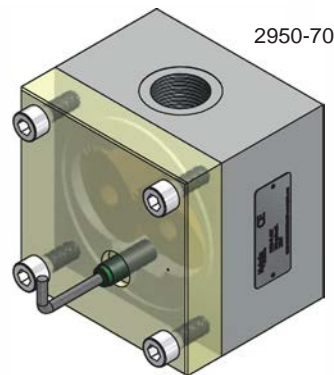
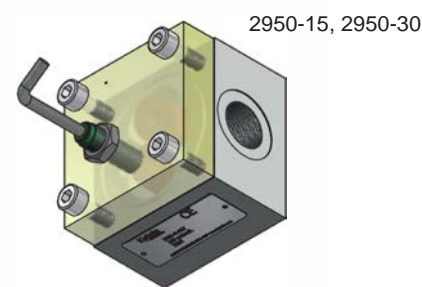
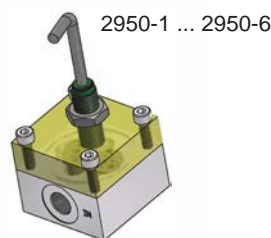
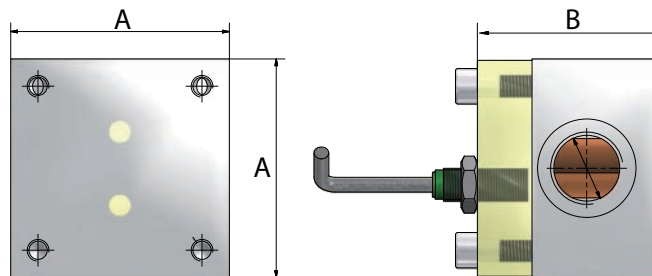
Connections	
G threads	G
NPT threads	N

Sensor	
Coil sensor (compatible with Kytola readout units)	C
NAMUR; EN 60947	A
PNP/NPN (2-wire) 10–55 VDC	F
PNP (3-wire)	P
NPN (3-wire)	T
Without sensor	D

Special Feature	
No ATEX	<i>blank</i>
ATEX version – only with NAMUR sensor, please choose options A and Z	Z

Standard feature: leave *blank*

Model	A	B
2950-1	1.97 (50)	1.61 (41)
2950-3	1.97 (50)	1.61 (41)
2950-6	1.97 (50)	1.85 (47)
2950-15	3.15 (80)	2.64 (67)
2950-30	3.15 (80)	2.64 (67)
2950-70	4.65 (118)	3.82 (97)



NOTE: Measurements in the drawings in this datasheet are in inches (and millimeters) if not stated otherwise.



www.kytola.ca



Kytola Instruments Inc.
 900 Old Roswell Lakes Parkway, Suite 120
 Roswell, GA 30076, USA
 Tel: +1 678 701 3569
 Fax: +1 514 448 5151
 flow@kytola.ca