

The KYTOLA® Oval Gear Meter Model SR1 is designed and developed for lubrication oil measurement in demanding industrial environments.

The Model SR oval gear meter is a positive displacement meter which always shows the correct flow rate regardless of oil temperature or viscosity changes.



- For oil
- Single channel model
- Max. 120 L/min
- Transparent cover
- Kytola coil or NAMUR sensors
- NPT or G thread connectors
- Flow adjustment valves
- ATEX version (II 2GD c TX) as option



ISO 9001 ISO 14001

OVAL GEAR METER SR1

FEATURES

Large viscosity range
30 – 1 000 cSt

Independent of viscosity and
temperature changes

Transparent cover provides highly
visible oil flow indication

Pulse output

Sturdy construction

By-pass valves for service
“on the run” (SR1-1...SR1-6)

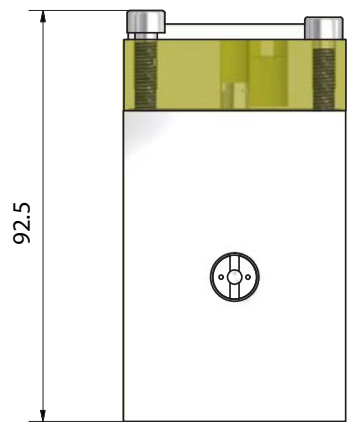
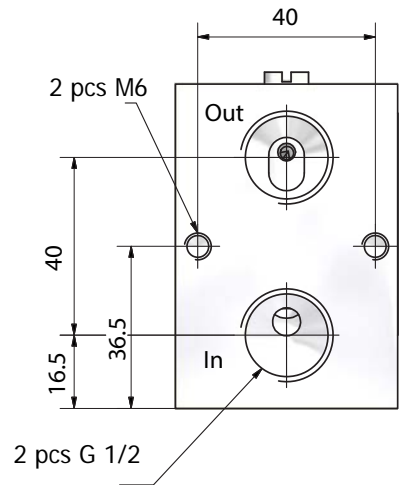
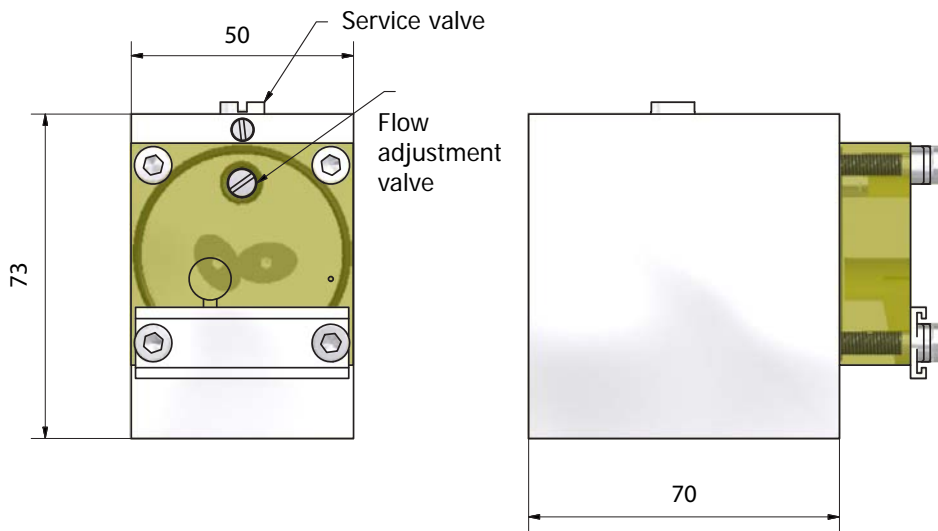
TYPICAL APPLICATIONS

Lubrication oil flow monitoring

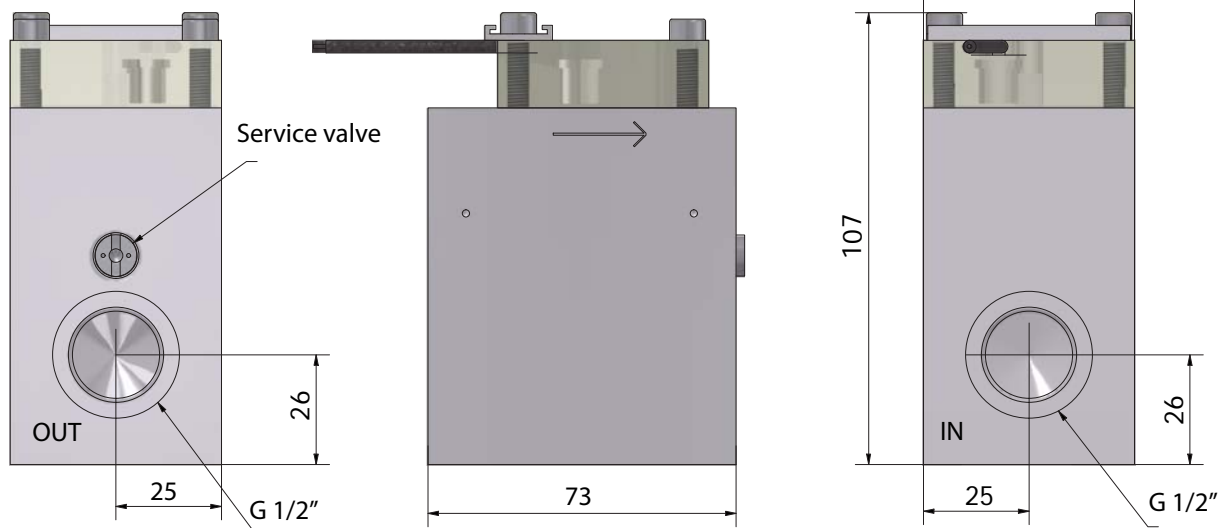
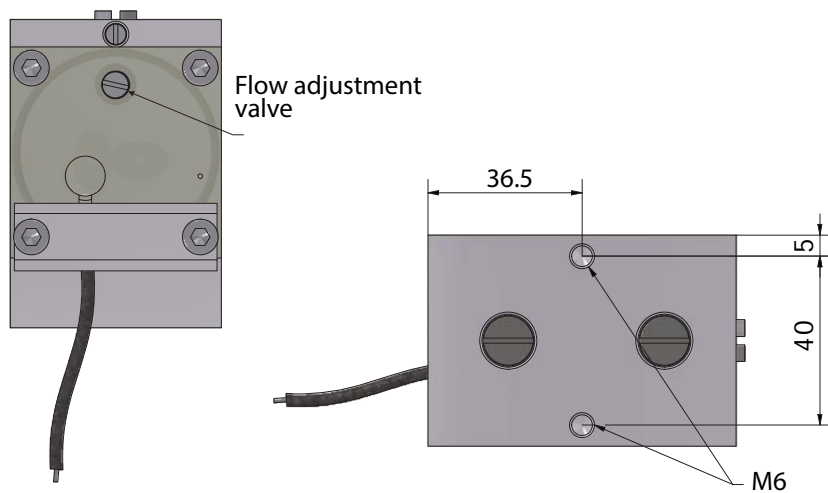
Industrial flow monitoring

Process control

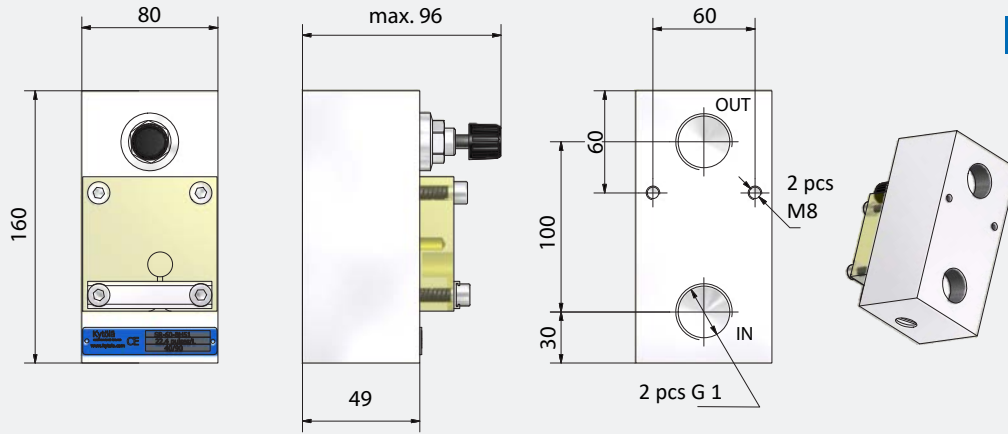
SR1-1...6-B



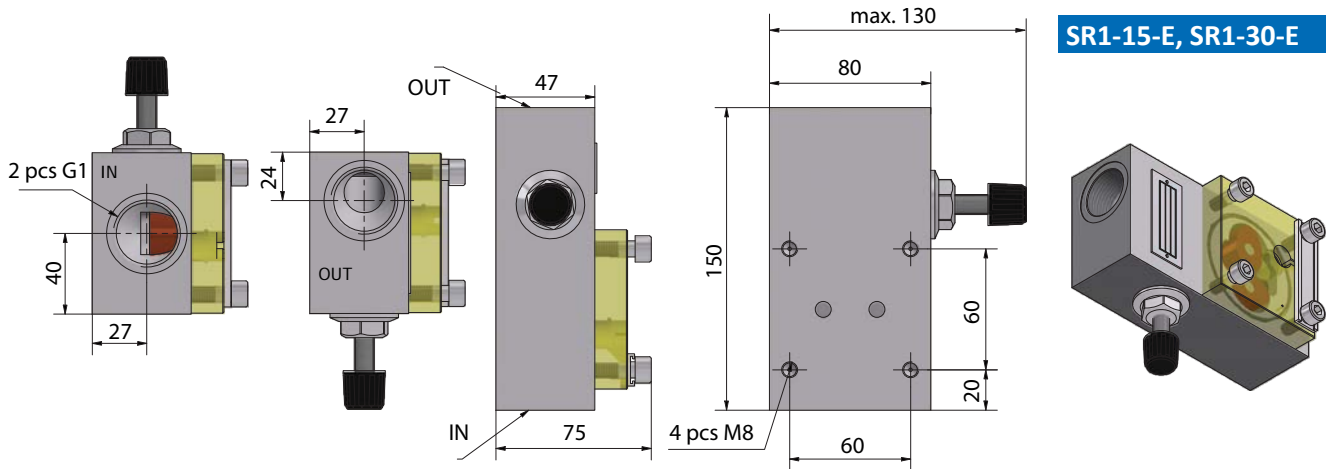
SR1-1...6-E



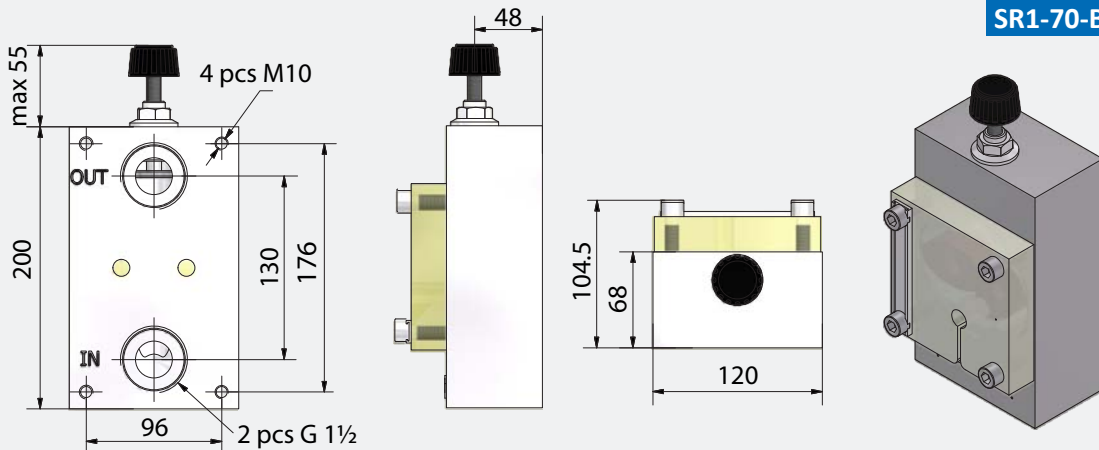
SR1-15-B, SR1-30-B



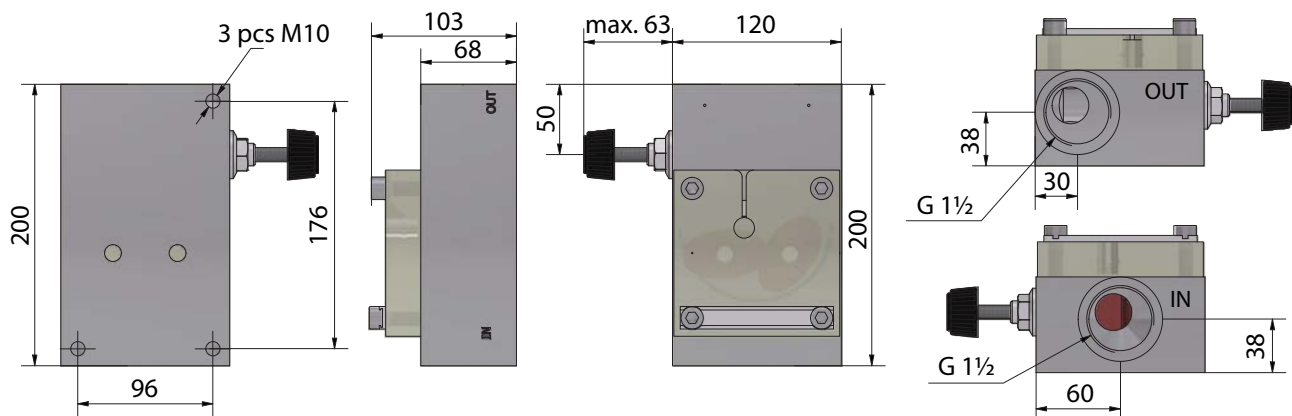
SR1-15-E, SR1-30-E



SR1-70-B, SR1-120-B



SR1-70-E, SR1-120-E



SR1 Single Channel

TECHNICAL DATA

Model	SR1-1	SR1-3	SR1-6	
Flow range L/min	0.1 – 1.5	0.2 – 3	0.5 – 6	
Output pulses/liter	2100	1062	290	
Connections G/NPT	1/2"	1/2"	1/2"	
Body	Aluminium			
Gears	Composite polymer			
Cover	Polyamide			
Valve	AISI 316			
Seals	Viton®			
Sensor	Kytola coil (compatible with Kytola measuring stations) or NAMUR; EN 60947			
Max. pressure	10 bar (20 bar*)			
Max. temperature	+80°C			
Viscosity range	30–1000 cSt			
Weight	0.6 kg	0.6 kg	0.6 kg	
Accuracy	±5% of reading			

Model	SR1-15	SR1-30	SR1-70	SR1-120
Flow range L/min	1 – 15	2 – 30	5 – 70	10 – 120
Output pulses/liter	126.8	75.8	22.4	17.6
Connections G/NPT	1"	1"	1½"	1½"
Body	Aluminium			
Gears	Bronze; EN 1982			
Cover	Polyamide			
Valve spindle	AISI 316			
Seals	Viton®			
Sensor	Kytola coil (compatible with Kytola measuring stations) or NAMUR; EN 60947			
Max. pressure	10 bar (20 bar*)			
Max. temperature	+80°C			
Viscosity range	30–1000 cSt			
Weight	1.7 kg	1.9 kg	5.0 kg	5.0 kg
Accuracy	±5% of reading			

* Special construction on request

SR1- **S** - - - -

Flow Range L/min	
0.1 – 1.5	1
0.2 – 3	3
0.5 – 6	6

Service valve **S**

Connection Type	
Back connections	B
End connections	E

Connections	
G threads	G
NPT threads	N

Sensor	
Kytola coil (compatible with Kytola measuring stations)	C
NAMUR; EN 60947	A
Without sensor (M12 x 1 thread)	D

Special Feature	
No ATEX	<i>blank</i>
ATEX version – only with NAMUR sensor	Z
Please choose options A and Z	

SR1- - - - -

Flow Range L/min	
1 – 15	15
2 – 30	30
5 – 70	70
10 – 120	120

Connection Type	
Back connections	B
End connections	E

Connections	
G threads	G
NPT threads	N

Sensor	
Kytola coil (compatible with Kytola measuring stations)	C
NAMUR; EN 60947	A
Without sensor (M12 x 1 thread)	D

Special Feature	
No ATEX	<i>blank</i>
ATEX version – only with NAMUR sensor	Z
Please choose options A and Z	

Standard feature: leave *blank*

Kytola
INSTRUMENTS

www.kytola.com



Kytola Instruments Oy
Olli Kytölään tie 1
FI-40950 Muurame, Finland
Tel. +358 20 779 0690
info@kytola.com