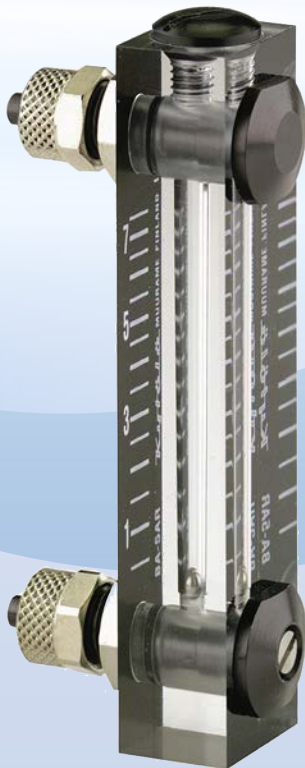


The KYTOLA® variable area flow meter Model BA is a high quality acrylic flow meter. It is designed for monitoring of low gas flow rates.

Model BA comes with a built-in flow adjustment valve and rapid fittings for plastic hose.



- For air and gas
- Flow rate air up to 16 SCFH (7.5 NL/min)
- Maximum pressure 145 psi (10 bar)
- Maximum temperature 167°F (75°C)

ISO 9001:2008 ISO 14001:2004

## FLOW METER BA

### FEATURES

- Acrylic body
- Connections for plastic hose
- Needle valve

### TYPICAL APPLICATIONS

- Gas purging for enclosures
- Gas purging for level measurement
- Gas purging for differential pressure measurements

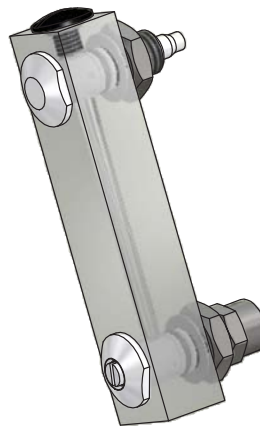
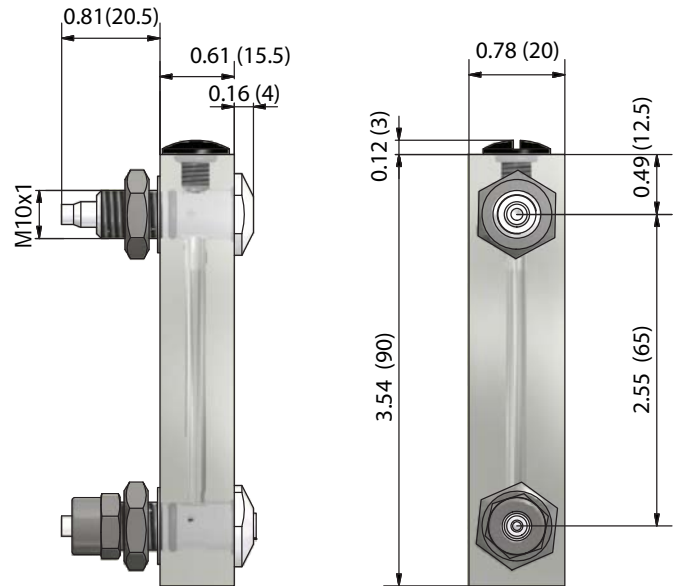
### OPTIONS

- Special scale markings
- Hand knob in needle valve
- Viton® or EPDM seals

Model	BA
Body	Acrylic (PMMA)
Valve housing	Aluminium
Valve spindle	AISI 316
Seals	Nitrile (*Viton®, *EPDM)
Plugs	POM, aluminium
Float	AISI 316
Accuracy	±10% F.S.
Max. pressure	145 psi (10 bar)
Max. temperature	167°F (75°C)
Connections	Rapid fittings for o.d. 6 mm / i.d. 4 mm hose
Weight	2.12 oz (60 g)

\* Special construction on request

Flow Range		BA- [ ] - [ ]
0.5 – 3.25 SCFH	0.2 – 1.4 NL/min	4A
2 – 16 SCFH	0.5 – 7.5 NL/min	5A
Scale		
Air (NL/min) at +20°C/101.3 kPa		R
1 – 10 relative		D
Special Feature		
Hand knob in valve		H
Viton seals		V
EPDM seals		Y
Without valve		O



Copyright © Kytola Instruments Oy 2016. Dimensions and measurements are given within normal tolerances. Manufacturer reserves the right to changes without prior notification. Published 2/2016.



www.kytola.ca

**Kytola Instruments Inc.**  
 900 Old Roswell Lakes Parkway, Suite 120  
 Roswell, GA 30076, USA  
 Tel: +1 678 701 3569  
 Fax: +1 514 448 5151  
 E-mail: flow@kytola.ca