

The KYTOLA® Variable Area Flow Meter Model E is a high quality flow meter made from clear acrylic.

It is a reliable and easy-to-read instrument for measuring and monitoring liquid and gas flows.



- For liquid or gas
- Several flow ranges
- Single or multi-tube versions
- Clear, easy-to-read scale

ISO 9001:2008 ISO 14001:2004

FLOW METER E

Model E is available in single tube and multi-tube versions with many options, and it is also available in customized designs.

FEATURES

- Acrylic body
- Flow adjustment valve

TYPICAL APPLICATIONS

- Water and air purging
- Gas and liquid measurements
- CO₂ control in greenhouses

OPTIONS

- Special scale markings
- Scales for alternative liquids and gases
- Thread adapters
- Viton® or EPDM seals

Model	EK	EH
Valve housing / plugs	Nylon	AISI 316
Valve spindle	AISI 316	AISI 316
Body	Acrylic (PMMA)	
Seals	Nitrile (*Viton®, EPDM)	
Max. pressure	290 psi (20 bar) 435 psi / 86°F (30 bar / +30°C)	
Max. temperature	+167°F (+75°C)	
Connections	BSP 1/4", thread adapters must be used for NPT connections	
Accuracy	± 5% F.S. (H ₂ O, +20°C)	
Weight	6 oz. (170 g)	7 oz. (200 g)

*) Special construction on request

Valve Housing / Plug Material

Nylon	K
AISI 316	H

Flow Range H ₂ O		Flow Range Air		
USGPH	L/min	SCFH	NL/min	
0.02 – 0.26	2 – 16 mL/min	0.2 – 2.0	0.1 – 0.8	2K
0.05 – 0.50	2.5 – 30 mL/min	0.2 – 2.8	0.1 – 1.2	2L
0.1 – 0.85	5 – 55 mL/min	0.5 – 4.0	0.2 – 1.8	2M
0.2 – 1.4	10 – 80 mL/min	1 – 6.0	0.4 – 2.6	2N
0.1 – 1.8	0.01 – 0.11	1 – 13	0.5 – 5.5	3K
0.2 – 3.0	0.02 – 0.18	2 – 16	0.5 – 7	3L
0.5 – 5.0	0.025 – 0.3	2 – 20	1 – 9	3M
0.5 – 7.0	0.05 – 0.45	2.5 – 27.5	1 – 12	3N
1 – 8.0	0.05 – 0.5	5 – 45	2 – 20	4B
1 – 18	0.1 – 1.1	5 – 85	2 – 36	4A
5 – 25	0.2 – 1.6	20 – 100	7.5 – 47.5	5E
2.5 – 35	0.2 – 2.2	20 – 160	5 – 70	5S
5 – 40	0.5 – 2.5	40 – 200	10 – 90	5F

Scale

H ₂ O (L/min) at +20°C (mL/min for 2K...2N)	A
H ₂ O scale USGPH (70°F)	N
Air scale NL/min (20°C, 1.013 bar abs)	R
Air scale SCFH (70°F, 14.7 psia)	V
Dual scale USGPH H ₂ O and SCFH air	L
Relative scale 1–10	D

Special Features

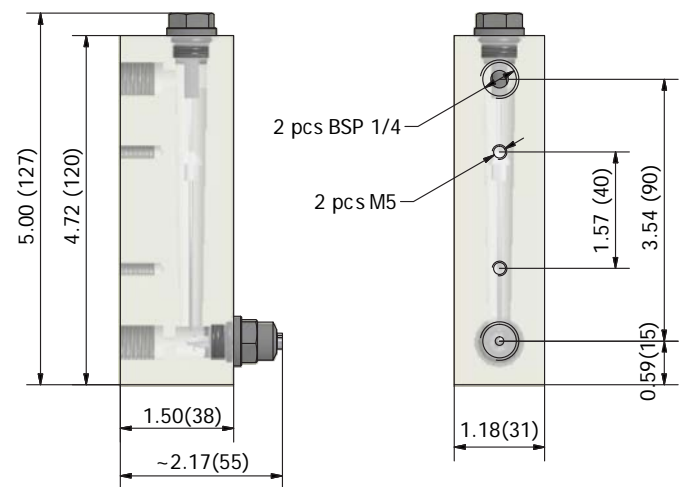
Hand knob	H
Nitrile seals (standard)	leave blank
Viton® seals	V
EPDM seals	Y

Fixed side mounted flow alarm available for single tube models 2M, 2N, 3M, 3N, 4A, 5E, 5S, 5F – consult factory

NPT Adapters (two required for single meters)

ZADR1/4NK - Nylon, 1/4" BSP x 1/4" NPT
 ZADR1/4N3/8K - Nylon, 1/4" BSP x 3/8" NPT
 ZADR1/4N3/8H - AISI316, 1/4" BSP x 3/8" NPT
 ZADR1/4NH - AISI316, 1/4" BSP x 1/4" NPT

NOTE: Measurements in the drawings in this datasheet are in inches (and millimeters) if not stated otherwise.



NOTE: Thread adapters must be used for NPT connections.

Kytola
INSTRUMENTS

www.kytola.ca



Kytola Instruments Inc.

900 Old Roswell Lakes Parkway, Suite 120

Roswell, GA 30076, USA

Tel: +1 678 701 3569

Fax: +1 514 448 5151

E-mail: flow@kytola.ca