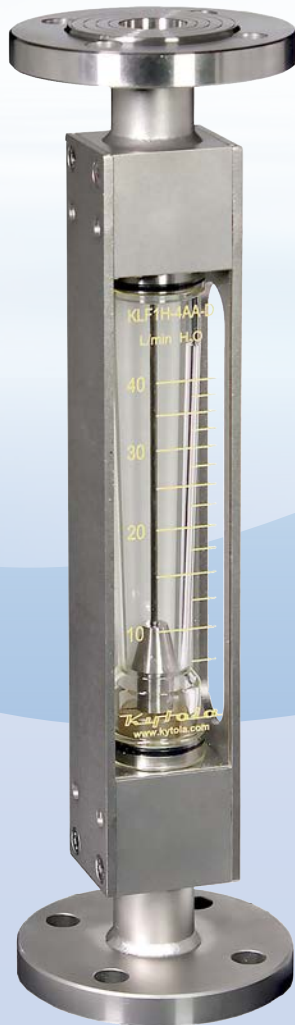


The KYTOLA® model KLFH is a sturdy industrial variable area flow meter. It is a reliable instrument for measuring and monitoring liquid and gas flows.



- Flange connections DN or ANSI
- Flow rate water up to 27.5 USGPM (120 L/min)
- Flow rate air up to 120 SCFM (3000 NL/min)
- Alarm-ready

ISO 9001:2008 ISO 14001:2004

FLOW METER KLFH

FEATURES

Sturdy construction with protected flow tube

Stainless steel body and side plates

TYPICAL APPLICATIONS

Sealing water measurement of vacuum pumps

Lubrication oil measurements

Liquid and gas flow measurements

Flush water applications

OPTIONS

Scales for alternative liquids and gases

PES flow tube

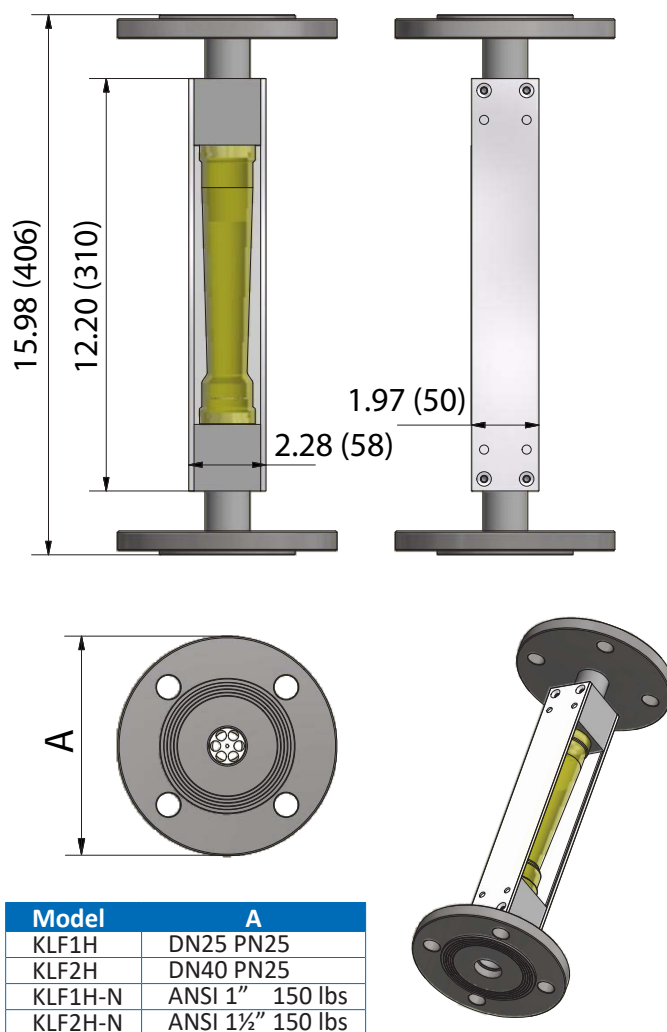
Viton or EPDM seals

Low and high flow alarm

Model	KLF1H	KLF2H
Connections	DN25 PN25 or ANSI 1" 150 lbs flanges	DN40 PN25 or ANSI 1½" 150 lbs flanges
Weight	11 lbs (5.1 kg)	14 lbs (6.3 kg)
Max temperature	176°F (80°C), *248° (120°C)	176°F (80°C), *248° (120°C)
Body	AISI 316	AISI 316
Float	AISI 329 Note! Other possible wetted metal parts: AISI 316	
Flow tube	Grilamid (PA-12) or *PES	
Seals	Nitrile (*Viton®, *EPDM)	
Accuracy	± 5% F.S.	

*) Special construction on request

KLF				
Connections				
DN25 or ANSI 1" flanges				1H
DN40 or ANSI 1½" flanges				2H
Flow Range H₂O		Flow Range Air		
USGPM	L/min	SCFM	NL/min	
2-11	7.5-40	7.5-45	200-1200	4A
2.5-15	10-55	10-60	200-1500	4B
2.5-17	10-65	10-65	300-1800	4C
4-22	10-85	10-85	400-2200	4D
2.5-27.5	10-120	20-120	400-3000	4E
Scale				
H ₂ O L/min (20°C)				A
H ₂ O USGPM (70°F)				G
Air NL/min (20°C/1.013 bar abs)				R
Air SCFM (70°F/14.7 psia)				T
Relative 1-10				D
Special Feature				
Alarm readiness				D
DN connections				blank
ANSI connections				N
Grilamid flow tube, nitrile seals				blank
PES flow tube, nitrile seals				V
PES flow tube, Viton® seals				W
Grilamid flow tube, Viton® seals				X
EPDM seals				Y
Standard feature: leave <i>blank</i>				
Special feature: choose Character				



Model	A
KLF1H	DN25 PN25
KLF2H	DN40 PN25
KLF1H-N	ANSI 1" 150 lbs
KLF2H-N	ANSI 1½" 150 lbs

NOTE: Measurements in the drawings in this datasheet are in inches (and millimeters) if not stated otherwise.

Copyright© Kytola Instruments Oy 2018. Dimensions and measurements are given within normal tolerances. Manufacturer reserves the right to changes without prior notification. File KLFH_es11NA_en Published 5/2018.