

KYTOLA® purge meter model KPM is designed for industrial water purging applications and to withstand contaminated water.

The KPM comes with a built-in flow tube cleaner and the strong and compact design ensures maximum resistance to external impact.



- Flow rate water up to 1.0 L/min
- Freeze proof
- Built-in cleaner does not interfere with operation
- Excellent corrosion and heat resistance
- All models alarm-ready



PURGE METER KPM

FEATURES

- Solid construction
- Clog resistant flow control valve
- Built-in tube cleaner
- Mounting bracket

TYPICAL APPLICATIONS

- Water purging

OPTIONS

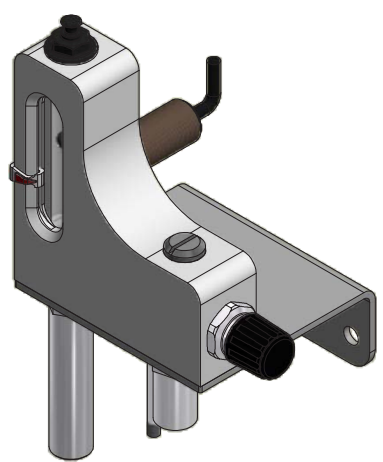
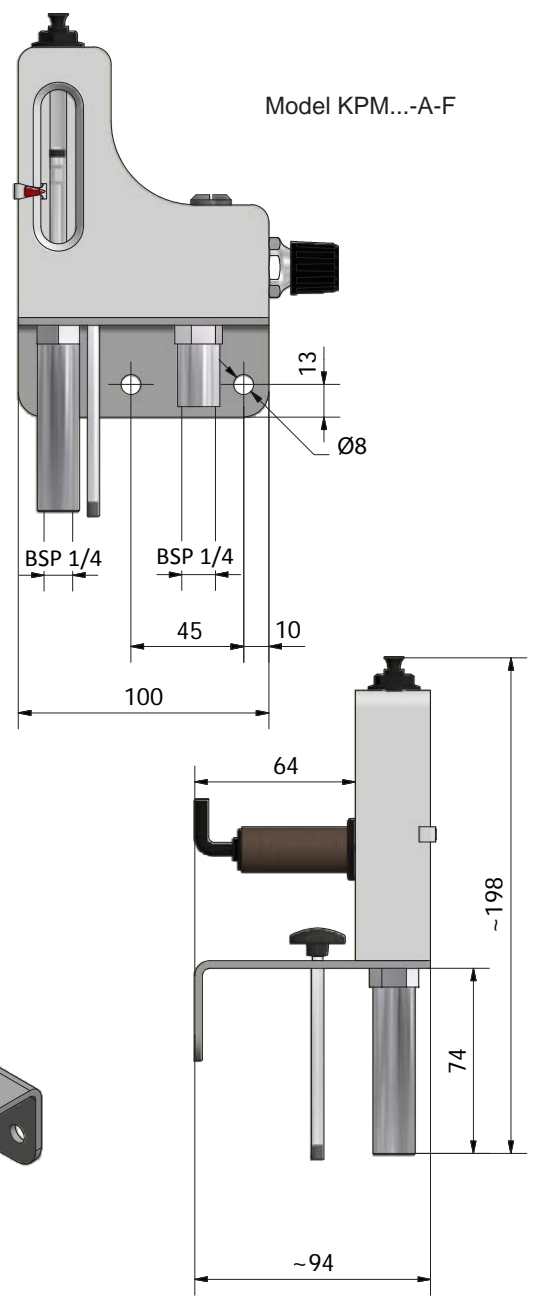
- Alarm sensor
- Check valve

Model	KPM
Body	POM (*PVDF)
Flow tube	Polysulfone (PSU)
Metallic parts	AISI 316, float AISI 329
Seals	Viton®
Maximum pressure	20 bar
Minimum temperature	-20°C
Maximum temperature	+100°C
Connections	Female threads or compression fittings for straight tube
Weight	1.2 kg incl. package
	*) Special construction on request

Range Code		Adjustable Alarm Range		
0.025 – 0.4 L/min	0.025 – 0.1 L/min	04		
0.05 – 1.0 L/min	0.1 – 0.45 L/min	1		
0.25 – 6.0 USGPH	0.4 – 1.6 USGPH	6		
1 – 15 USGPH	1.6 – 7.1 USGPH	15		

Connectors	
BSP 1/4" female threads	A
NPT 1/4" female threads	B
10 mm compression fittings	C
3/8" compression fittings	D

Accessories	
Inductive prox. sensor 20 – 250 VAC/DC (ILK-M18-AB)	A
Inductive prox. sensor 10 – 55 VDC (ILK-M18-FR)	F
Intrinsically safe NAMUR sensor, 10 mm range (ILK-M18-N-10)	I
POM body (standard)	<i>leave empty</i>
PVDF body	K
Integral check valve on outlet	CV



Copyright© Kytola Instruments Oy 2018. Dimensions and measurements are given within normal tolerances. Manufacturer reserves the right to changes without prior notification. File KPM_esc11_en Published 8/2018.