

The KYTOLA® Variable Area Flow Meter Model L is a sturdy industrial acrylic flow meter.

Model L is a reliable instrument for measuring and monitoring liquid and gas flows.



- For liquid or gas
- Several flow ranges
- Scales for alternative gases and liquids
- Clear, easy-to-read scale

ISO 9001 ISO 14001

FLOW METER L

FEATURES

- Plastic flow tube with stainless steel connections
- Flow adjustment valve
- CRN approved select models
- Freeze resistant body (Model LR)

TYPICAL APPLICATIONS

- Gas and water purging
- Liquid and gas flow measurements
- Sealing liquid monitoring

OPTIONS

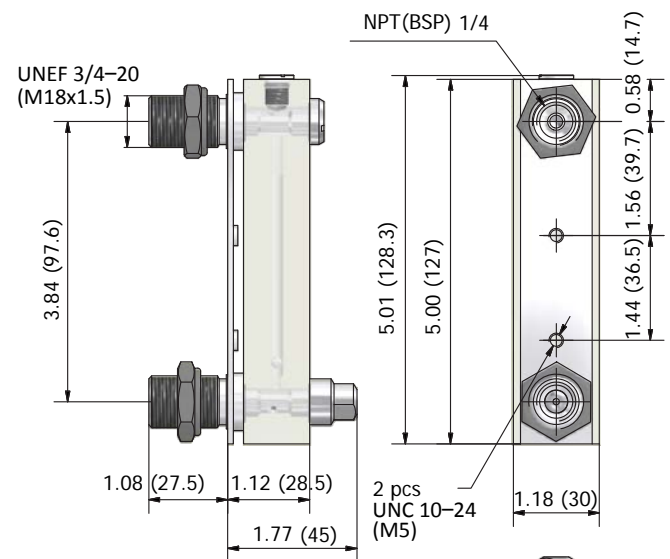
- Constant flow regulator
- Hand knob
- Viton® or EPDM seals
- Custom calibration/special construction

Model	LH	LR	LT
Max. pressure	290 psi (20 bar), 435 psi /86°F (30 bar/30°C)	290 psi (20 bar), 435 psi /95°F (30 bar/35°C)	290 psi (20 bar), 435 psi /86°F (30 bar/30°C)
Max. temperature	167°F (75°C)	176°F (80°C)	158°F (70°C)
Body	Acrylic (PMMA)	Grilamid (PA-12)	Trogamid-T (PA6-3-T)
Valve	AISI 316		
Connectors	AISI 316		
Seals	Nitrile (*Viton®, EPDM)		
Connections	NPT 1/4" (*BSP 1/4")		
Accuracy	± 5% F.S. H ₂ O, 70°F (20°C)		
Weight	10.6 oz (300 g)		

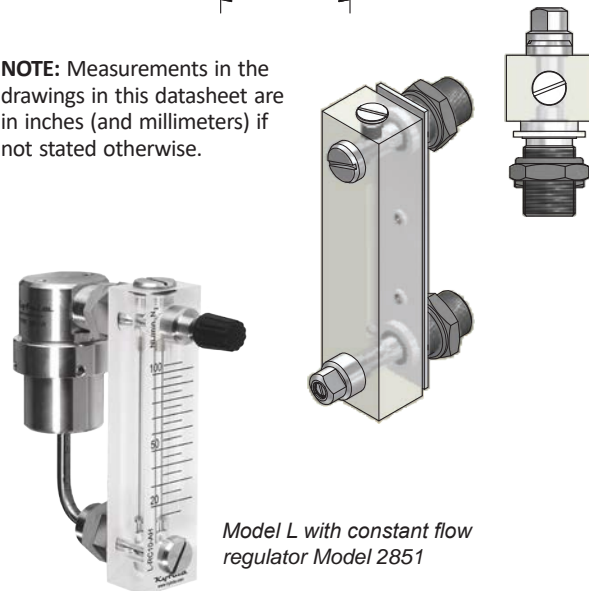
*) Special construction on request

Flow Tube Material				
Acrylic	H			
Grilamid	R			
Trogamid-T	T			
Flow Range				
H ₂ O USGPH	H ₂ O L/min	Air SCFH	Air NL/min	
0.05 – 0.30	2 – 18 mL/min	0.2 – 2	0.1 – 0.9	4K
0.05 – 0.45	2.5 – 30 mL/min	0.4 – 2.8	0.1 – 1.2	4A
0.1 – 0.9	5 – 55 mL/min	0.75 – 4	0.2 – 1.8	4B
0.2 – 1.3	15 – 80 mL/min	1.5 – 6	0.5 – 2.5	4C
0.2 – 2.0	0.01 – 0.13	1 – 14	0.5 – 6	5K
0.2 – 3.6	0.01 – 0.2	1 – 16	0.5 – 7	5A
0.5 – 5.5	0.025 – 0.3	2 – 24	1 – 10	5B
1 – 8.5	0.05 – 0.5	4 – 32	2 – 14	5C
2 – 12	0.1 – 0.75	7.5 – 45	3 – 20	8T
2 – 17	0.1 – 1	10 – 70	5 – 30	8M
4 – 26	0.2 – 1.6	20 – 120	10 – 50	8P
2.5 – 40	0.2 – 2.6	20 – 190	10 – 85	8S
7.5 – 55	0.5 – 3.5	40 – 260	15 – 110	8R
Scale				
H ₂ O L/min (20°C) (*mL/min for 4K...4C)	A			
H ₂ O USGPH (70°F)	N			
Air NL/min (20°C/1.013 bar (abs))	R			
Air SCFH (70°F, 14.7 psia)	V			
Dual scale USGPH H ₂ O and SCFH air	L			
Dual scale L/min H ₂ O and NL/min air	M			
Relative scale 1–10	D			
Special Feature				
Hand knob in valve	H			
Connections NPT 1/4"	blank			
Connections BSP 1/4"	R			
Nitrile seals	blank			
Viton® seals	V			
EPDM seals	Y			

Standard feature: leave *blank*
Special feature: choose a Character



NOTE: Measurements in the drawings in this datasheet are in inches (and millimeters) if not stated otherwise.



Model L with constant flow regulator Model 2851