

The KYTOLA® Variable Area Flow Meter Model L is a sturdy industrial acrylic flow meter.

Model L is a reliable instrument for measuring and monitoring liquid and gas flows.



- Several flow ranges
- Scales for alternative gases and liquids
- Clear, easy-to-read scale

FLOW METER L

FEATURES

Plastic flow tube with stainless steel connections

Flow adjustment valve

TYPICAL APPLICATIONS

Gas purging

Water purging

Liquid and gas flow measurements

OPTIONS

Constant flow regulator

Hand knob

Viton® or EPDM seals

Model	LH	LR	LT
Max. pressure	20 bar (30 bar/+30°C)	20 bar (30 bar/+35°C)	20 bar (30 bar/+30°C)
Max. temperature	75°C	80°C	70°C
Body	Acrylic (PMMA)	Grilamid (PA-12)	Trogamid-T (PA6-3-T)
Valve	AISI 316		
Connectors	AISI 316		
Seals	Nitrile (*Viton®, EPDM)		
Connections	NPT 1/4" (*BSP 1/4")		
Accuracy	± 5% F.S. (H ₂ O, +20°C)		
Weight	300 g		

*) Special construction on request

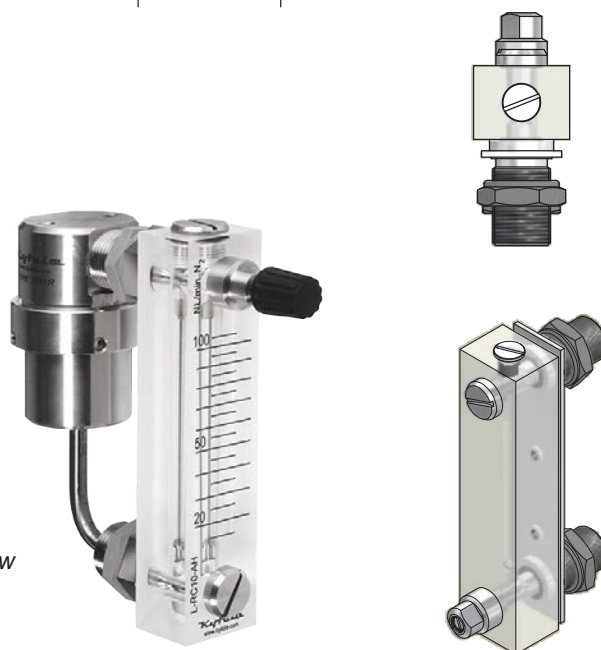
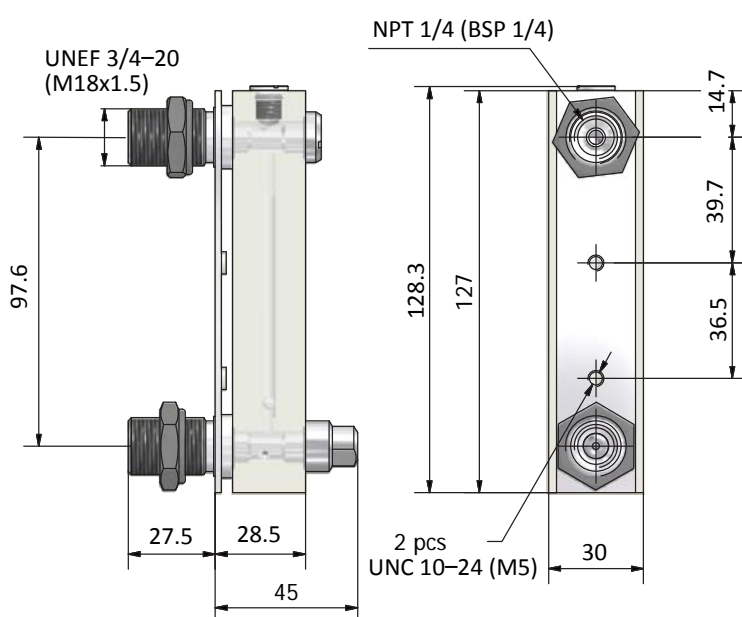
Flow Tube Material		
Acrylic	H	
Grilamid	R	
Trogamid-T	T	

Flow Range		
H ₂ O	Air NL/min	
2 – 18 mL/min	0.1 – 0.9	4K
2.5 – 30 mL/min	0.1 – 1.2	4A
5 – 55 mL/min	0.2 – 1.8	4B
15 – 80 mL/min	0.5 – 2.5	4C
0.01 – 0.13 L/min	0.5 – 6	5K
0.01 – 0.2 L/min	0.5 – 7	5A
0.025 – 0.35 L/min	1 – 10	5B
0.05 – 0.5 L/min	2 – 14	5C
0.1 – 0.75 L/min	3 – 20	8T
0.1 – 1 L/min	5 – 30	8M
0.2 – 1.6 L/min	10 – 50	8P
0.2 – 2.6 L/min	10 – 85	8S
0.5 – 3.5 L/min	15 – 110	8R

Scale		
H ₂ O (L/min) +20°C	A	
Air (NL/min) +20°C/1.013 bar (abs)	R	
Relative 1–10	D	

Special Feature		
Hand knob	H	
Connections NPT 1/4"	blank	
Connections BSP 1/4"	R	
Nitrile seals	blank	
Viton® seals	V	

Standard feature: leave blank
 Special feature: choose a Character



Model L with constant flow regulator Model 2851