

The KYTOLA® model TTFH is a sturdy industrial variable area flow meter. It has a stainless steel body with a heavy-duty impact resistant acrylic flow tube. It is a reliable instrument for measuring and monitoring large water flows.



- Flow rate water up to 1000 L/min
- Maximum pressure 16 bar
- Maximum temperature 75°C
- Minimum temperature seals -30°C nitrile, -20°C Viton®
- Flange connections DN 80

## FLOW METER TTFH

### FEATURES

- Sturdy construction
- Stainless steel body
- Acrylic (PMMA) impact resistant flow tube

### TYPICAL APPLICATIONS

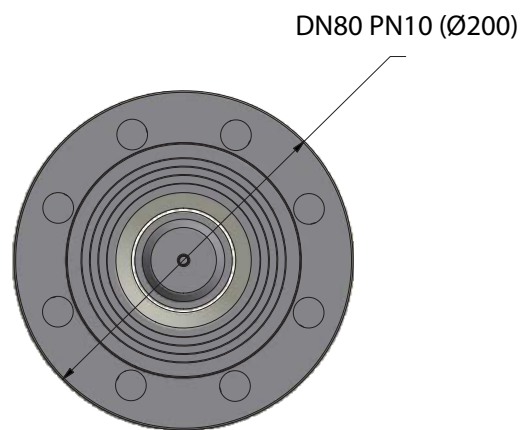
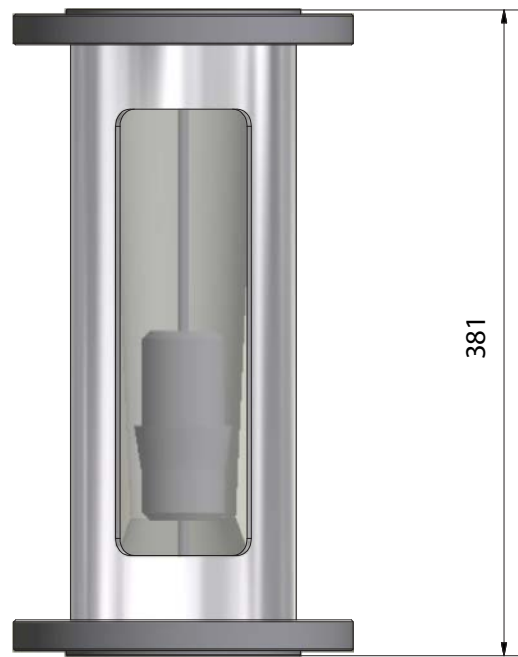
- Water treatment
- Power plants
- Swimming pools

### OPTIONS

- Viton®, EPDM seals
- Special scale markings

<b>Model</b>	<b>TTFH</b>
Connections	DN 80 flanges
Max pressure	16 bar
Max temperature	75°C
Body	AISI 316
Float	AISI 329 Note! Other possible wetted metal parts: AISI 316
Flow tube	Acrylic
Seals	Nitrile (*Viton®, *EPDM)
Weight	17.5 kg
Accuracy	± 5% F.S.
	*) Special construction on request

TT			
<b>Connections</b>			
DN 80 flanges	<b>FH</b>		
<b>Flow Range H<sub>2</sub>O L/min</b>			
75–600		<b>4A</b>	
100–1000		<b>4B</b>	
<b>Scale</b>			
H <sub>2</sub> O L/min at +20°C			<b>A</b>
<b>Special Feature</b>			
Viton® seals			<b>V</b>
EPDM seals			<b>Y</b>



Copyright © Kytola Instruments Oy 2019. Dimensions and measurements are given within normal tolerances. Manufacturer reserves the right to changes without prior notification. File TTFH\_es21\_en Published 5/2019.



www.kytola.com



**Kytola Instruments Oy**  
 Olli Kytölään tie 1  
 FI-40950 Muurame, Finland  
 Tel. +358 20 779 0690  
 Fax +358 14 631 419  
 E-mail info@kytola.com