

The KYTOLA® model VLFH is a sturdy industrial variable area flow meter. It is a reliable instrument for measuring and monitoring liquid and gas flows.



- Flange connections  
DN or ANSI
- Flow rate water up to  
8.0 USGPM (30 L/min)
- Flow rate air up to  
35 SCFM (900 NL/min)
- Alarm-ready

ISO 9001:2008 ISO 14001:2004

## FLOW METER VLFH

### FEATURES

Sturdy construction with protected flow tube

Stainless steel side plates

### TYPICAL APPLICATIONS

Lubrication oil measurement

Sealing and cooling water measurement

Flush water applications

Liquid and gas flow measurements

### OPTIONS

Scales for alternative liquids and gases

PES flow tube

Viton or EPDM seals

Low and high flow alarm

Model	VLF1H	VLF2H
Connections	DN15 PN25, ANSI ½" 150 lbs flanges	DN25 PN25, ANSI 1" 150 lbs flanges
Weight	8.2 lbs (3.7 kg)	10.4 lbs (4.7 kg)
Max temperature	176°F (80°C), *248° (120°C)	176°F (80°C), *248° (120°C)
Body	AISI 316	AISI 316
Float	AISI 329 or AISI 329/PTFE depending on range Note! Other possible wetted metal parts: AISI 316	
Flow tube	Grilamid (PA-12) or *PES	
Seals	Nitrile (*Viton®, *EPDM)	
Accuracy	± 5% F.S.	

\*) Special construction on request

Connections		Flow Range H <sub>2</sub> O		Flow Range Air		Character
DN15 or ANSI ½" flanges	1H	USGPM	L/min	SCFM	NL/min	
DN25 or ANSI 1" flanges	2H	0.1 – 0.55	0.4 – 2	0.5 – 3	15 – 75	6H
		0.2 – 0.9	0.75 – 3.25	1 – 5	30 – 130	3H
		0.4 – 1.4	1.5 – 5.5	1.5 – 7	40 – 180	3K
		0.6 – 2.4	2 – 9	3 – 11	80 – 300	3L
		0.6 – 2.6	3 – 10	3 – 12	75 – 325	3M
		0.75 – 4.25	2 – 16	3 – 17	75 – 450	4N
		1 – 4.5	3 – 17	4 – 20	100 – 500	4D
		1 – 6.0	4 – 22	4 – 26	100 – 700	4E
		1 – 8.0	5 – 30	5 – 35	150 – 900	4F

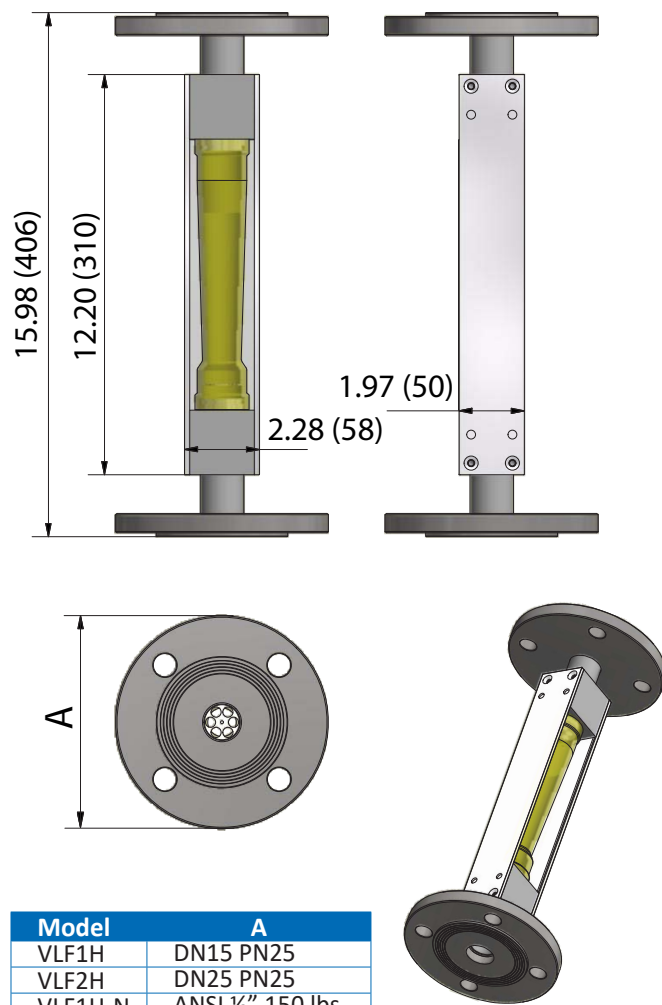
  

Scale	Character
H <sub>2</sub> O L/min at +20°C	A
H <sub>2</sub> O USGPM (70°F)	G
Air (NL/min) at +20°C/1.013 bar (abs)	R
Air SCFM (70°F, 14.7 psia)	T
Relative 1–10	D

Special Feature	Character
Alarm readiness	D
DN connections	blank
ANSI connections	N
Grilamid flow tube, nitrile seals	blank
PES flow tube, nitrile seals	V
PES flow tube, Viton® seals	W
Grilamid flow tube, Viton® seals	X
EPDM seals	Y

Standard feature: leave *blank*  
Special feature: choose Character



Model	A
VLF1H	DN15 PN25
VLF2H	DN25 PN25
VLF1H-N	ANSI ½" 150 lbs
VLF2H-N	ANSI 1" 150 lbs

**NOTE:** Measurements in the drawings in this datasheet are in inches (and millimeters) if not stated otherwise.

Copyright © Kytola Instruments Oy 2018. Dimensions and measurements are given within normal tolerances. Manufacturer reserves the right to changes without prior notification. File VLFH\_es11NA\_en Published 7/2018.