

The KYTOLA® variable area flow meter model D is a clear, easy to read acrylic flow meter.

It is a reliable instrument for measuring and monitoring liquid and gas flows.



- For liquid or gas
- Flow rate water up to 28 USGPM (100 L/min)
- Flow rate air up to 100 SCFM (2500 NL/min)
- Maximum pressure 290 psi (20 bar)
- Maximum temperature 167°F (75°C)

FLOW METER D

FEATURES

- Machined acrylic body
- Clear, easy to read scales


TYPICAL APPLICATIONS

- Water treatment
- Sealing water measurements
- Gas flow measurements

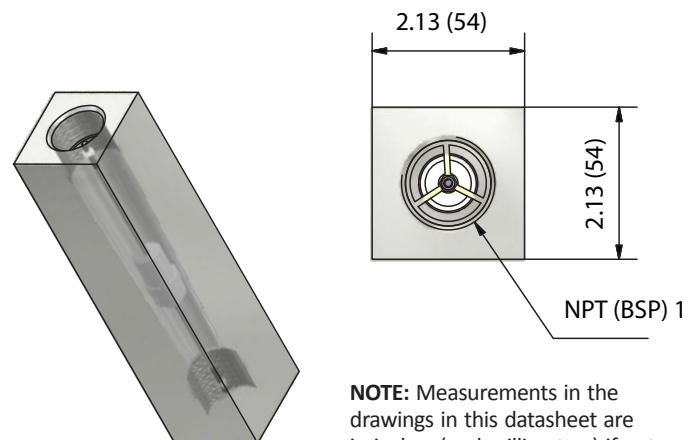
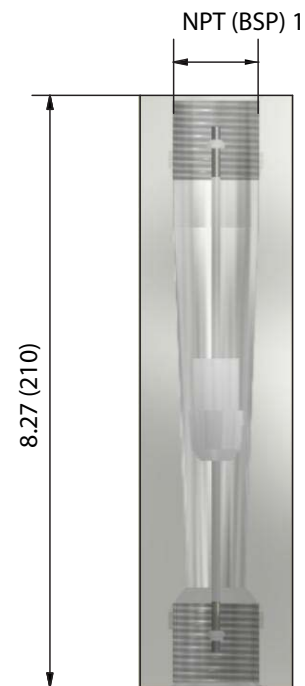
OPTIONS

- Scales for alternative liquids and gases
- Special scale markings
- Thread adapters

Model	D
Connections	BSP 1", thread adapters must be used for NPT connections
Body	Acrylic (PMMA)
Max. pressure	290 psi (20 bar) up to max temperature 440 psi at 85°F (30 bar at 30°C)
Max. temperature	165°F (75°C)
Weight	1.38 lb (620 g)
Accuracy	±5% F.S. (H ₂ O, +70°F)

Flow Range					D- 
H ₂ O USGPM	H ₂ O L/min	Air SCFM	Air NL/min		
2 – 10	7.5 – 40	7.5 – 42.5	200 – 1200	4A	A G N R T V D
2 – 14	7.5 – 50	10 – 55	200 – 1400	4B	
2 – 15	10 – 60	10 – 57.5	300 – 1500	4C	
2 – 20	10 – 80	10 – 80	300 – 2100	4D	
4 – 28	10 – 100	10 – 100	500 – 2500	4E	

Scale	
H ₂ O scale L/min (20°C)	
H ₂ O scale USGPM (70°F)	
H ₂ O scale USGPH (70°F)	
Air NL/min (20°C, 101.3 kPa)	
Air scale SCFM (70°F, 14.7 psia)	
Air SCFH (70°F, 14.7 psia)	
Relative scale 0–10	



NOTE: Measurements in the drawings in this datasheet are in inches (and millimeters) if not stated otherwise.

NPT Adapters (two required)

- ZADR1N3/4K – Nylon, 1" BSP x 3/4" NPT
- ZADR1NK – Nylon, 1" BSP x 1" NPT
- ZADR1N11/4K – Nylon, 1" BSP x 1 1/4" NPT
- ZADR1N3/4H – AISI316, 1" BSP x 3/4" NPT
- ZADR1NH – AISI316, 1" BSP x 1" NPT
- ZADR1N11/4H – AISI316, 1" BSP x 1 1/4" NPT