

KYTOLA® Model HT Variable Area Flow Meter is an industrial flow meter.

Model HT comes with an injection molded impact resistant flow tube with threaded or socket type connections.

It is a reliable instrument for measuring and monitoring liquid and gas flows.



- For liquid or gas
- Good corrosion resistance
- Threaded or socket type connections
- Flow rate water up to 100 USGPM (375 L/min)
- Flow rate air up to 550 SCFM (14,000 L/min)

ISO 9001:2008 ISO 14001:2004

FLOW METER HT

FEATURES

Low cost

Large variety of flow ranges

TYPICAL APPLICATIONS

Process industry

Chemical industry

Water treatment plants

Flow measurement in PVC piping

General liquid and gas measurement

OPTIONS

Scales for alternative liquids and gases

Special scale markings

Viton® or EPDM seals

Low and high flow alarm

Model	HT		
Connection size	BSP/NPT 1¼" (or 1½") or 1.97" (50 mm) socket		
Weight	10 oz. (280 g)		
Max. pressure	145 psi at 68°F (10 bar at 20°C), *145 psi at 176°F (10 bar at 80°C)		
Max. temperature	167°F at 29 psi (50°C at 2 bar), *248°F at 29 psi (120°C at 2 bar)		
Flow tube	Grilamid (PA-12) (*PES)		
Connectors	PVC (*AISI 316, PVDF)		
Float	AISI 329 or AISI 329/PTFE (depending on range) Note! Other possible wetted metal parts: AISI 316		
Seals	Nitrile (*Viton®, EPDM)		
Accuracy	±5% F.S. (H ₂ O +20°C/68°F)		*) on request

Connections

Without PVC connectors	blank
Socket type connections, 1.79"(50 mm)	H
NPT 1¼" or 1½" connections	N
BSP 1¼" connections	R

Flow Range H ₂ O		Flow Range Air		
USGPM	L/min	SCFM	NL/min	
3 – 14	10 – 50	15 – 75	400 – 2000	4E
2 – 28	10 – 105	10 – 115	400 – 3000	4A
2.5 – 42.5	10 – 160	10 – 160	400 – 4400	4F
7.5 – 50	30 – 200	40 – 240	1000 – 6000	4B
10 – 80	30 – 300	40 – 320	1000 – 8500	4C
15 – 100	75 – 375	75 – 550	2000 – 14000	4D

Scale

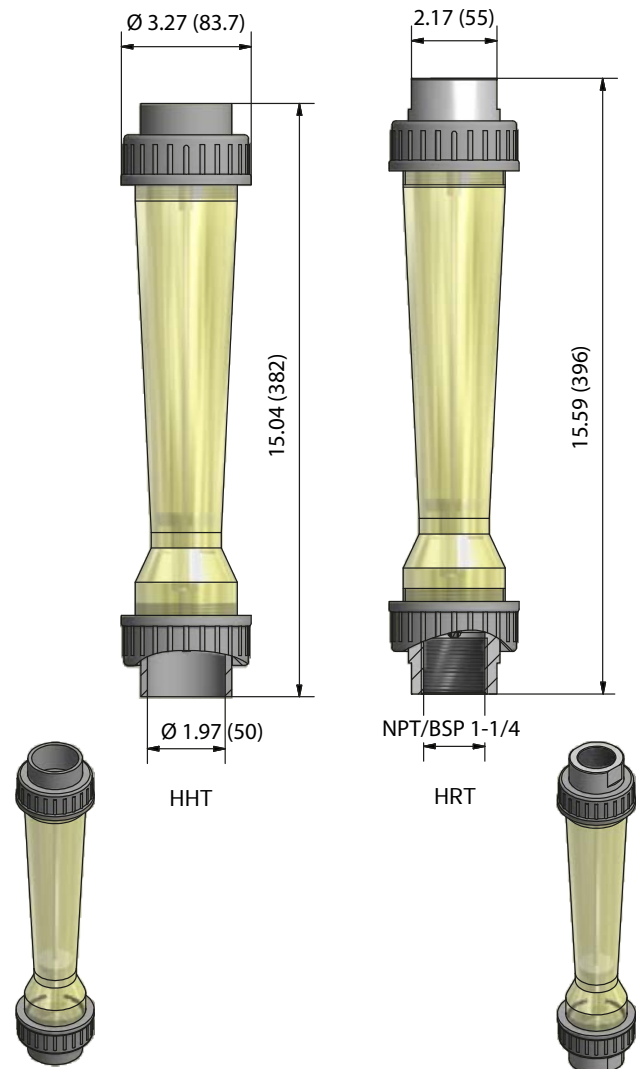
H ₂ O L/min (20°C)	A
H ₂ O m ³ /h (20°C)	C
H ₂ O USGPM (70°F)	G
Air NL/min (20°C, 1.013 bar (abs))	R
Air SCFH (70°F, 14.7 psia)	V
Air SCFM	T

Special Feature

Grilamid flow tube, nitrile seals	blank
PES flow tube, nitrile seals	V
PES flow tube, Viton® seals	W
Grilamid flow tube, Viton® seals	X
EPDM seals	Y

Standard feature: leave *blank*
Special feature: choose Character

H T - - -



NOTE: Measurements in the drawings in this datasheet are in inches (and millimeters) if not stated otherwise.