

KYTOLA® Model V Variable Area Flow Meter is designed for reliable measuring and monitoring of liquid and gas flows.

It comes in a range of different options and offers a choice of end blocks – aluminium, stainless steel AISI 316 or polyamide.



- Sturdy construction
- Impact resistant flow tube
- Model VE in multi-tube versions
- Scales for alternative liquids and gases

ISO 9001 ISO 14001

## FLOW METER VD, VE, VL

### FEATURES

- Large selection of materials
- Alarm-ready
- Models VD and VE with built-in flow adjustment valve and quick change flow tube

### TYPICAL APPLICATIONS

- Lubrication oil measurement
- Sealing and cooling water measurement
- Flush water applications
- Gas flow measurements

### OPTIONS

- Low and high flow alarm
- Constant flow regulator
- Viton or EPDM seals
- PES flow tube

| Model            | VDA  | VDH           | VDK      |
|------------------|--|---------------|----------|
| End blocks       | Aluminium                                      | AISI 316      | Nylon    |
| Side plates      | AISI 316                                       | AISI 316      | AISI 316 |
| Max. pressure    | 30 bar   | 30 bar        | 20 bar   |
| Max. temperature | 80°C (*120°C)                                  | 80°C (*120°C) | 80°C     |
| Weight           | 0.75 kg  | 2.00 kg       | 0.95 kg  |
| Valve housing    | Aluminium                                      | AISI 316      | AISI 316 |
| Valve spindle    | AISI 316                                       | AISI 316      | AISI 316 |
| Flow tube        | Grilamid (PA-12) (*PES)                        |               |          |
| Connections      | G 1/2" or NPT 1/2"                             |               |          |
| Float            | AISI 329 or AISI 329/PTFE (depending on range) |               |          |
| Seals            | Nitrile (*Viton®, EPDM)                        |               |          |
| Accuracy         | ±5% F.S. (H <sub>2</sub> O, +20°C)             |               |          |

\*Special construction on request

VD   -   -   -  

| End Block Material                   |   |  |
|--------------------------------------|---|--|
| Aluminium (not for H <sub>2</sub> O) | A |  |
| AISI 316                             | H |  |
| Nylon                                | K |  |

| Flow Range             |            |    |  |
|------------------------|------------|----|--|
| H <sub>2</sub> O L/min | Air NL/min |    |  |
| 0.4 – 2                | 15 – 75    | 6H |  |
| 0.75 – 3               | 30 – 130   | 3H |  |
| 1.5 – 5                | 40 – 180   | 3K |  |
| 2 – 9                  | 80 – 280   | 3L |  |
| 2.5 – 10               | 75 – 325   | 3M |  |
| 3 – 16                 | 100 – 600  | 4N |  |
| 4 – 17                 | 100 – 650  | 4D |  |
| 4 – 22                 | 100 – 1100 | 4E |  |
| 7.5 – 32.5             | –          | 4F |  |

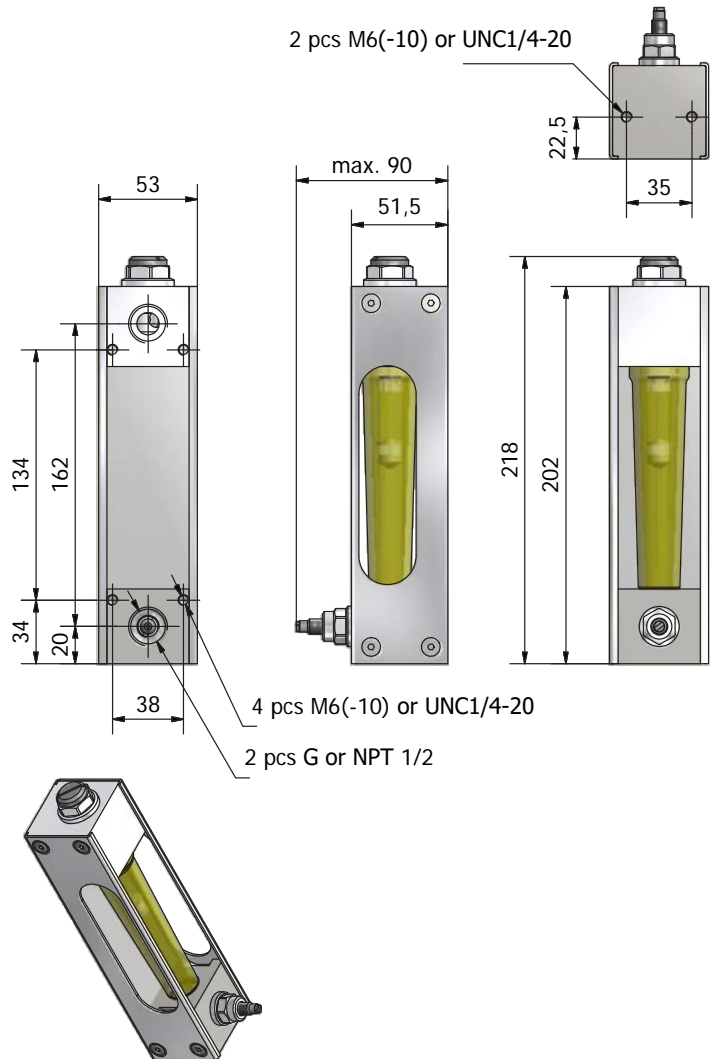
  

| Scale                                 |   |  |
|---------------------------------------|---|--|
| H <sub>2</sub> O (L/min) at +20°C     | A |  |
| Air (NL/min) at +20°C/1.013 bar (abs) | R |  |

| Features                          |       |  |
|-----------------------------------|-------|--|
| Alarm readiness                   | D     |  |
| Hand knob in valve                | H     |  |
| G connections                     | blank |  |
| NPT connections                   | N     |  |
| Grilamid flow tube, nitrile seals | blank |  |
| PES flow tube, nitrile seals      | V     |  |
| PES flow tube, Viton® seals       | W     |  |
| Grilamid flow tube, Viton® seals  | X     |  |

Standard feature: leave *blank*  
Special feature: choose Character



| Model            | VEA  | VEH           | VEK      |
|------------------|--|---------------|----------|
| End blocks       | Aluminium                                      | AISI 316      | Nylon    |
| Side plates      | AISI 316                                       | AISI 316      | AISI 316 |
| Max. pressure    | 30 bar   | 30 bar        | 20 bar   |
| Max. temperature | 80°C (*120°C)                                  | 80°C (*120°C) | 80°C     |
| Weight           | 0.75 kg  | 2.00 kg       | 0.95 kg  |
| Valve housing    | Aluminium                                      | AISI 316      | AISI 316 |
| Valve spindle    | AISI 316                                       | AISI 316      | AISI 316 |
| Flow tube        | Grilamid (PA-12) (*PES)                        |               |          |
| Connections      | G 1/2" or NPT 1/2"                             |               |          |
| Float            | AISI 329 or AISI 329/PTFE (depending on range) |               |          |
| Seals            | Nitrile (*Viton®, EPDM)                        |               |          |
| Accuracy         | ±5% F.S. (H <sub>2</sub> O, +20°C)             |               |          |

\*Special construction on request

| End Block Material                   |   |  |
|--------------------------------------|---|--|
| Aluminium (not for H <sub>2</sub> O) | A |  |
| AISI 316                             | H |  |
| Nylon                                | K |  |

| Flow Range             |            |     |  |
|------------------------|------------|-----|--|
| H <sub>2</sub> O L/min | Air NL/min |     |  |
| 0.4 – 2                | 15 – 70    | 6H* |  |
| 0.75 – 3               | 30 – 130   | 3H* |  |
| 1.5 – 5                | 40 – 180   | 3K* |  |
| 2 – 9                  | 60 – 260   | 3L* |  |
| 2.5 – 10               | 75 – 300   | 3M* |  |
| 2 – 15                 | 75 – 400   | 4N* |  |
| 4 – 17                 | 100 – 450  | 4D* |  |
| 4 – 22                 | 100 – 650  | 4E* |  |
| 5 – 30                 | 150 – 700  | 4F* |  |

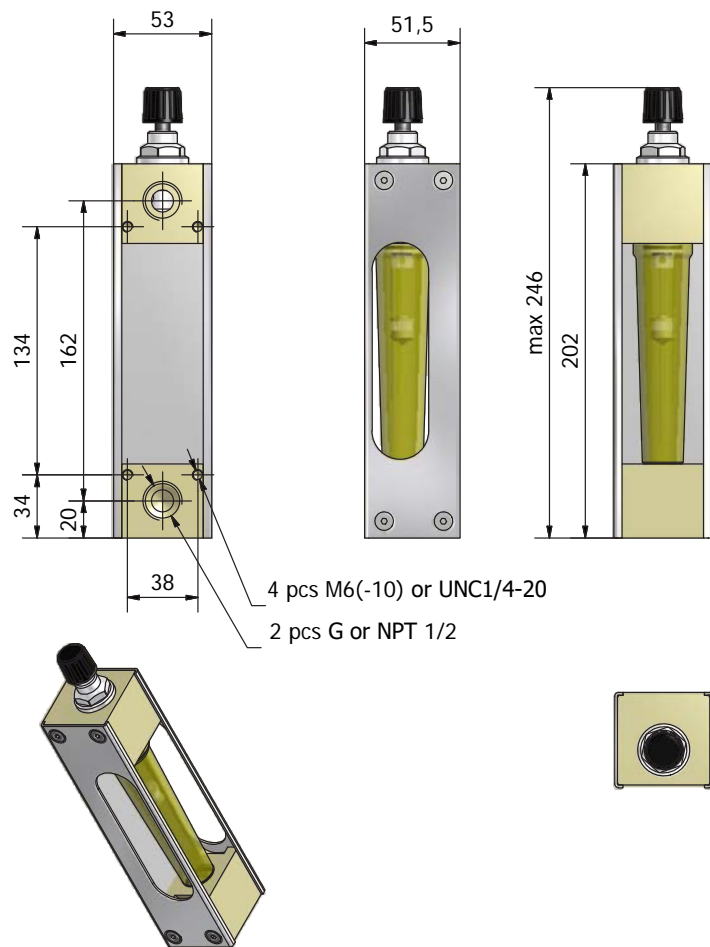
  

| Scale                                 |   |  |
|---------------------------------------|---|--|
| H <sub>2</sub> O (L/min) at +20°C     | A |  |
| Air (NL/min) at +20°C/1.013 bar (abs) | R |  |

| Features                          |       |  |
|-----------------------------------|-------|--|
| Alarm readiness                   | D     |  |
| G connections                     | blank |  |
| NPT connections                   | N     |  |
| Grilamid flow tube, nitrile seals | blank |  |
| PES flow tube, nitrile seals      | V     |  |
| PES flow tube, Viton® seals       | W     |  |
| Grilamid flow tube, Viton® seals  | X     |  |

Standard feature: leave *blank*  
Special feature: choose Character



\* Air flow ranges (20°C/1.013 bar abs) for calibration purposes only

| Model            | VLA   | VLH           | VLK      |
|------------------|---|---------------|----------|
| End blocks       | Aluminium   | AISI 316      | Nylon    |
| Side plates      | AISI 316  | AISI 316      | AISI 316 |
| Max. pressure    | 30 bar  | 30 bar        | 20 bar   |
| Max. temperature | 80°C (*120°C)   | 80°C (*120°C) | 80°C     |
| Weight           | 0.75 kg   | 2.00 kg       | 0.95 kg  |
| Flow tube        | Grilamid (PA-12) (*PES)   |               |          |
| Connections      | G 1/2" or NPT 1/2"  |               |          |
| Float            | AISI 329 or AISI 329/PTFE (depending on range)<br>Note! Other possible wetted metal parts: AISI 316 |               |          |
| Seals            | Nitrile (*Viton®, EPDM)   |               |          |
| Accuracy         | ±5% F.S. (H <sub>2</sub> O, +20°C)  |               |          |

\*Special construction on request

VL    -       -   

### End Block Material

|                                      |          |
|--------------------------------------|----------|
| Aluminium (not for H <sub>2</sub> O) | <b>A</b> |
| AISI 316                             | <b>H</b> |
| Nylon                                | <b>K</b> |

### Flow Range

| H <sub>2</sub> O L/min | Air NL/min |           |
|------------------------|------------|-----------|
| 0.4 – 2                | 15 – 75    | <b>6H</b> |
| 0.75 – 3.25            | 30 – 130   | <b>3H</b> |
| 1.5 – 5.5              | 40 – 180   | <b>3K</b> |
| 2 – 9                  | 80 – 300   | <b>3L</b> |
| 3 – 10                 | 75 – 325   | <b>3M</b> |
| 2 – 16                 | 75 – 450   | <b>4N</b> |
| 3 – 17                 | 100 – 500  | <b>4D</b> |
| 4 – 22                 | 100 – 700  | <b>4E</b> |
| 5 – 30                 | 150 – 900  | <b>4F</b> |

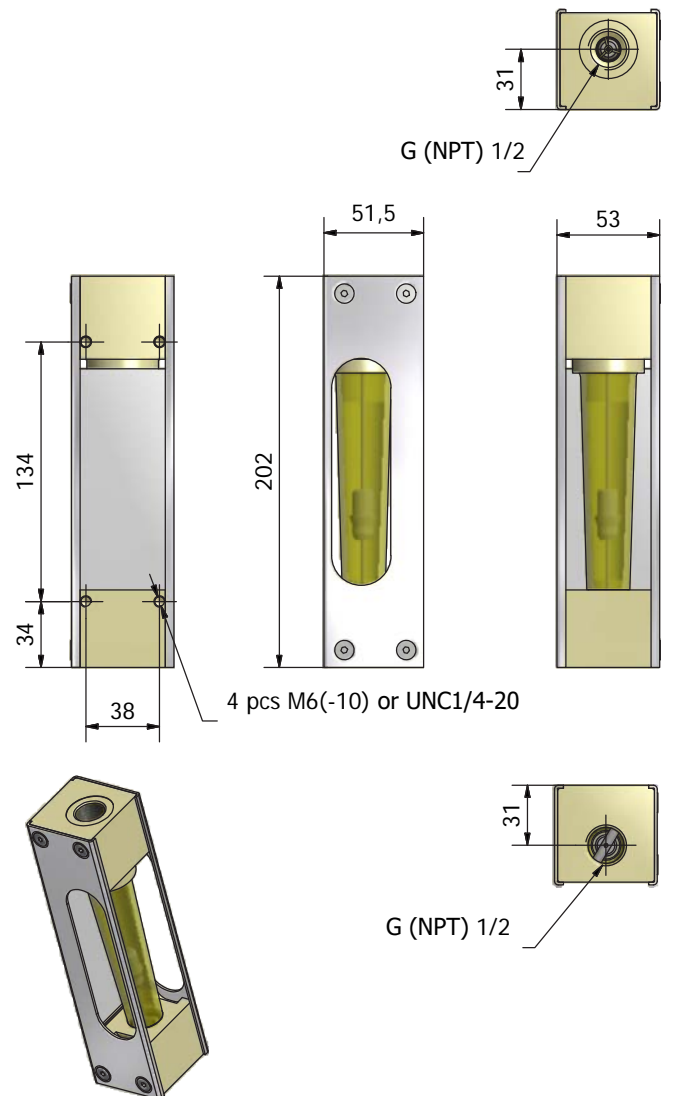
### Scale

|                                       |          |
|---------------------------------------|----------|
| H <sub>2</sub> O (L/min) at +20°C     | <b>A</b> |
| Air (NL/min) at +20°C/1.013 bar (abs) | <b>R</b> |

### Features

|                                   |              |
|-----------------------------------|--------------|
| Alarm readiness                   | <b>D</b>     |
| G connections                     | <i>blank</i> |
| NPT connections                   | <b>N</b>     |
| Grilamid flow tube, nitrile seals | <i>blank</i> |
| PES flow tube, nitrile seals      | <b>V</b>     |
| PES flow tube, Viton® seals       | <b>W</b>     |
| Grilamid flow tube, Viton® seals  | <b>X</b>     |

Standard feature: leave *blank*  
Special feature: choose **Character**



Copyright © Kytola Instruments Oy 2019. Dimensions and measurements are given within normal tolerances. Manufacturer reserves the right to changes without prior notification. File V\_es14\_en Published 6/2019.