

KYTOLA® Model V Variable Area Flow Meter is designed for reliable measuring and monitoring of liquid and gas flows.

It comes in a range of different options and offers a choice of end blocks – aluminium, stainless steel AISI 316 or polyamide.



- Sturdy construction
- Impact resistant flow tube
- Model VE in multi-tube versions
- Scales for alternative liquids and gases

ISO 9001:2008 ISO 14001:2004

## FLOW METER VD, VE, VL

### FEATURES

Large selection of materials

Alarm-ready

Models VD and VE with built-in flow adjustment valve and quick change flow tube

### TYPICAL APPLICATIONS

Lubrication oil measurement

Sealing and cooling water measurement

Flush water applications

Gas flow measurements

### OPTIONS

Low and high flow alarm

Constant flow regulator

Viton or EPDM seals

PES flow tube

| Model            | VDA  | VDH           | VDK      |
|------------------|--|---------------|----------|
| End blocks       | Aluminium                                      | AISI 316      | Nylon    |
| Side plates      | AISI 316                                       | AISI 316      | AISI 316 |
| Max. pressure    | 30 bar   | 30 bar        | 20 bar   |
| Max. temperature | 80°C (*120°C)                                  | 80°C (*120°C) | 80°C     |
| Weight           | 0.75 kg  | 2.00 kg       | 0.95 kg  |
| Valve housing    | Aluminium                                      | AISI 316      | AISI 316 |
| Valve spindle    | AISI 316                                       | AISI 316      | AISI 316 |
| Flow tube        | Grilamid (PA-12) (*PES)                        |               |          |
| Connections      | BSP 1/2" or NPT 1/2"                           |               |          |
| Float            | AISI 329 or AISI 329/PTFE (depending on range) |               |          |
| Seals            | Nitrile (*Viton®, EPDM)                        |               |          |
| Accuracy         | ±5% F.S. (H <sub>2</sub> O, +20°C)             |               |          |

\*Special construction on request

| End Block Material                   |   |  |
|--------------------------------------|---|--|
| Aluminium (not for H <sub>2</sub> O) | A |  |
| AISI 316                             | H |  |
| Nylon                                | K |  |

| Flow Range       |       |            |        |           |
|------------------|-------|------------|--------|-----------|
| H <sub>2</sub> O |       | Air        |        |           |
| 0.4 – 2          | L/min | 15 – 75    | NL/min | <b>6H</b> |
| 0.75 – 3         | L/min | 30 – 130   | NL/min | <b>3H</b> |
| 1.5 – 5          | L/min | 40 – 180   | NL/min | <b>3K</b> |
| 2 – 9            | L/min | 80 – 280   | NL/min | <b>3L</b> |
| 2.5 – 10         | L/min | 75 – 325   | NL/min | <b>3M</b> |
| 3 – 16           | L/min | 100 – 600  | NL/min | <b>4N</b> |
| 4 – 17           | L/min | 100 – 650  | NL/min | <b>4D</b> |
| 4 – 22           | L/min | 100 – 1100 | NL/min | <b>4E</b> |
| 7.5 – 32.5       | L/min | –          | –      | <b>4F</b> |

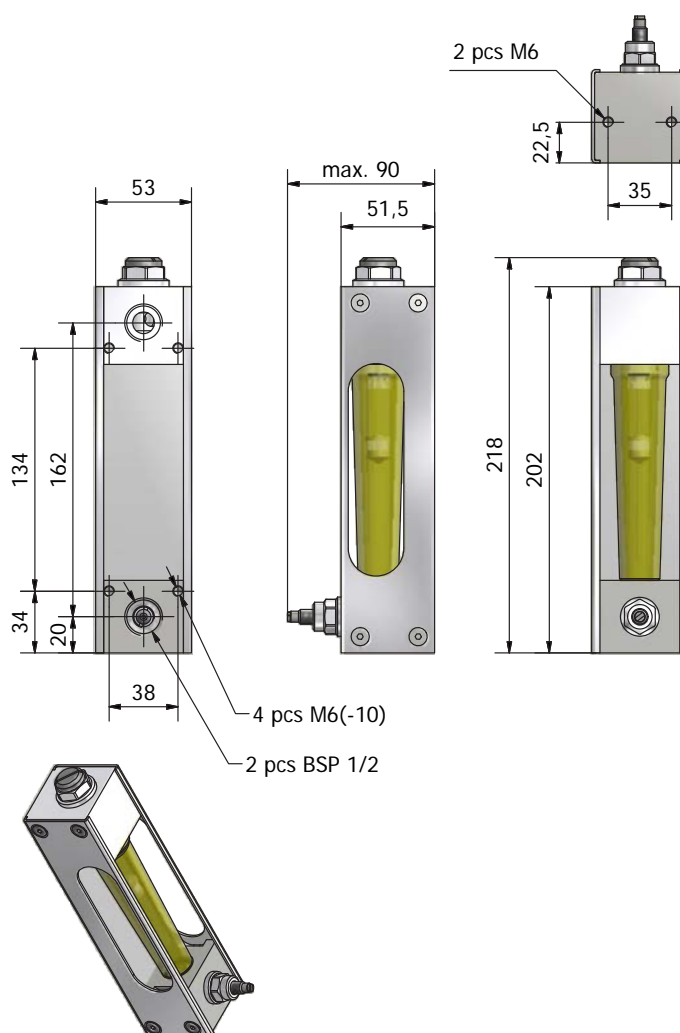
  

| Scale                                 |   |  |
|---------------------------------------|---|--|
| H <sub>2</sub> O (L/min) at +20°C     | A |  |
| Air (NL/min) at +20°C/1.013 bar (abs) | R |  |

| Special Feature                   |       |  |
|-----------------------------------|-------|--|
| Alarm readiness                   | D     |  |
| Hand knob in valve                | H     |  |
| BSP connections                   | blank |  |
| NPT connections                   | N     |  |
| Grilamid flow tube, nitrile seals | blank |  |
| PES flow tube, nitrile seals      | V     |  |
| PES flow tube, Viton® seals       | W     |  |
| Grilamid flow tube, Viton® seals  | X     |  |

Standard feature: leave *blank*  
Special feature: choose Character



| Model            | VEA  | VEH           | VEK      |
|------------------|--|---------------|----------|
| End blocks       | Aluminium                                      | AISI 316      | Nylon    |
| Side plates      | AISI 316                                       | AISI 316      | AISI 316 |
| Max. pressure    | 30 bar   | 30 bar        | 20 bar   |
| Max. temperature | 80°C (*120°C)                                  | 80°C (*120°C) | 80°C     |
| Weight           | 0.75 kg  | 2.00 kg       | 0.95 kg  |
| Valve housing    | Aluminium                                      | AISI 316      | AISI 316 |
| Valve spindle    | AISI 316                                       | AISI 316      | AISI 316 |
| Flow tube        | Grilamid (PA-12) (*PES)                        |               |          |
| Connections      | BSP 1/2" or NPT 1/2"                           |               |          |
| Float            | AISI 329 or AISI 329/PTFE (depending on range) |               |          |
| Seals            | Nitrile (*Viton®, EPDM)                        |               |          |
| Accuracy         | ±5% F.S. (H <sub>2</sub> O, +20°C)             |               |          |

\*Special construction on request

| End Block Material                   |   | VE |  |  |  |
|--------------------------------------|---|----|--|--|--|
| Aluminium (not for H <sub>2</sub> O) | A |    |  |  |  |
| AISI 316                             | H |    |  |  |  |
| Nylon                                | K |    |  |  |  |

| Flow Range       |       | Air       |        |            |
|------------------|-------|-----------|--------|------------|
| H <sub>2</sub> O |       |           |        |            |
| 0.4 – 2          | L/min | 15 – 70   | NL/min | <b>6H*</b> |
| 0.75 – 3         | L/min | 30 – 130  | NL/min | <b>3H*</b> |
| 1.5 – 5          | L/min | 40 – 170  | NL/min | <b>3K*</b> |
| 2 – 9            | L/min | 60 – 260  | NL/min | <b>3L*</b> |
| 2.5 – 10         | L/min | 75 – 300  | NL/min | <b>3M*</b> |
| 2 – 15           | L/min | 75 – 400  | NL/min | <b>4N*</b> |
| 4 – 17           | L/min | 100 – 450 | NL/min | <b>4D*</b> |
| 4 – 22           | L/min | 100 – 650 | NL/min | <b>4E*</b> |
| 5 – 30           | L/min | 150 – 700 | NL/min | <b>4F*</b> |

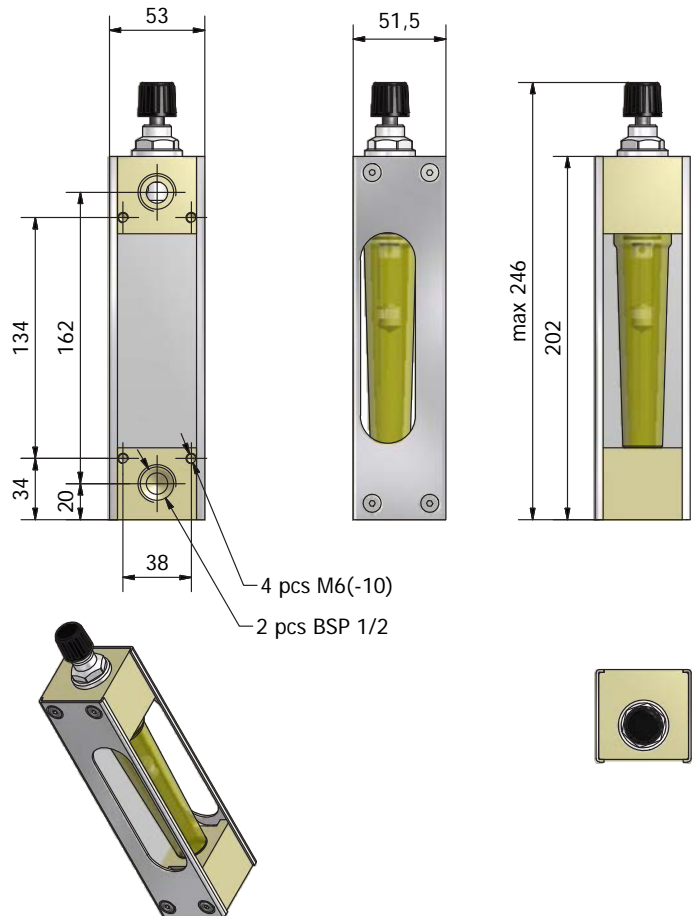
  

| Scale                                 |   |  |
|---------------------------------------|---|--|
| H <sub>2</sub> O (L/min) at +20°C     | A |  |
| Air (NL/min) at +20°C/1.013 bar (abs) | R |  |

| Special Feature                   |       |  |
|-----------------------------------|-------|--|
| Alarm readiness                   | D     |  |
| BSP connections                   | blank |  |
| NPT connections                   | N     |  |
| Grilamid flow tube, nitrile seals | blank |  |
| PES flow tube, nitrile seals      | V     |  |
| PES flow tube, Viton® seals       | W     |  |
| Grilamid flow tube, Viton® seals  | X     |  |

Standard feature: leave *blank*  
Special feature: choose **Character**



\* Air flow ranges (20°C/1.013 bar abs) for calibration purposes only

| Model            | VLA   | VLH           | VLK      |
|------------------|---|---------------|----------|
| End blocks       | Aluminium   | AISI 316      | Nylon    |
| Side plates      | AISI 316  | AISI 316      | AISI 316 |
| Max. pressure    | 30 bar  | 30 bar        | 20 bar   |
| Max. temperature | 80°C (*120°C)   | 80°C (*120°C) | 80°C     |
| Weight           | 0.75 kg   | 2.00 kg       | 0.95 kg  |
| Flow tube        | Grilamid (PA-12) (*PES)   |               |          |
| Connections      | BSP 1/2" or NPT 1/2"  |               |          |
| Float            | AISI 329 or AISI 329/PTFE (depending on range)<br>Note! Other possible wetted metal parts: AISI 316 |               |          |
| Seals            | Nitrile (*Viton®, EPDM)   |               |          |
| Accuracy         | ±5% F.S. (H <sub>2</sub> O, +20°C)  |               |          |

\*Special construction on request

VL ■ - ■ ■ - ■

| End Block Material                   |   |  |
|--------------------------------------|---|--|
| Aluminium (not for H <sub>2</sub> O) | A |  |
| AISI 316                             | H |  |
| Nylon                                | K |  |

| Flow Range        |                  |           |
|-------------------|------------------|-----------|
| H <sub>2</sub> O  | Air              |           |
| 0.4 – 2 L/min     | 15 – 75 NL/min   | <b>6H</b> |
| 0.75 – 3.25 L/min | 30 – 130 NL/min  | <b>3H</b> |
| 1.5 – 5.5 L/min   | 40 – 180 NL/min  | <b>3K</b> |
| 2 – 9 L/min       | 80 – 300 NL/min  | <b>3L</b> |
| 3 – 10 L/min      | 75 – 325 NL/min  | <b>3M</b> |
| 2 – 16 L/min      | 75 – 450 NL/min  | <b>4N</b> |
| 3 – 17 L/min      | 100 – 500 NL/min | <b>4D</b> |
| 4 – 22 L/min      | 100 – 700 NL/min | <b>4E</b> |
| 5 – 30 L/min      | 150 – 900 NL/min | <b>4F</b> |

| Scale                                 |   |  |
|---------------------------------------|---|--|
| H <sub>2</sub> O (L/min) at +20°C     | A |  |
| Air (NL/min) at +20°C/1.013 bar (abs) | R |  |

| Special Feature                   |       |  |
|-----------------------------------|-------|--|
| Alarm readiness                   | D     |  |
| BSP connections                   | blank |  |
| NPT connections                   | N     |  |
| Grilamid flow tube, nitrile seals | blank |  |
| PES flow tube, nitrile seals      | V     |  |
| PES flow tube, Viton® seals       | W     |  |
| Grilamid flow tube, Viton® seals  | X     |  |

Standard feature: leave *blank*  
Special feature: choose Character

