

KYTOLA® Model VExA Variable Area Flow Meter is a sturdy industrial flow meter with heavy-duty impact resistant polymer flow tubes.

This meter is a reliable instrument for measuring and monitoring lubrication oil flows.



- Sturdy construction
- Multi-tube version, 1 – 7 flow tubes
- Easy to install, clean, and maintain
- Easy to read also with black oils
- Alarm-ready

## OIL FLOW METER VExA

### FEATURES

Flow adjustment valve

Quick-change tube

Large selection of flow ranges

Relative scale 20–100 % or direct reading scale in required flow unit

### TYPICAL APPLICATIONS

Oil circulation lubrication monitoring in pulp & paper and steel mills

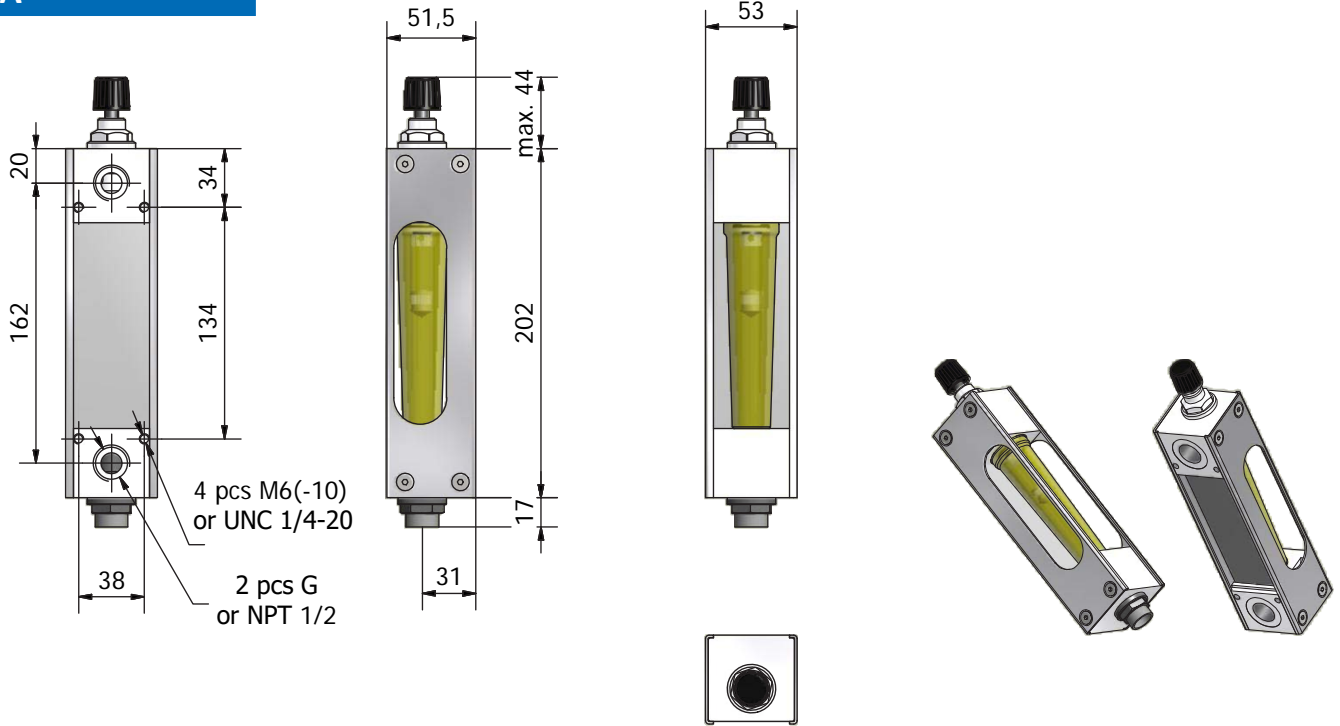
### OPTIONS

Inductive low flow alarm

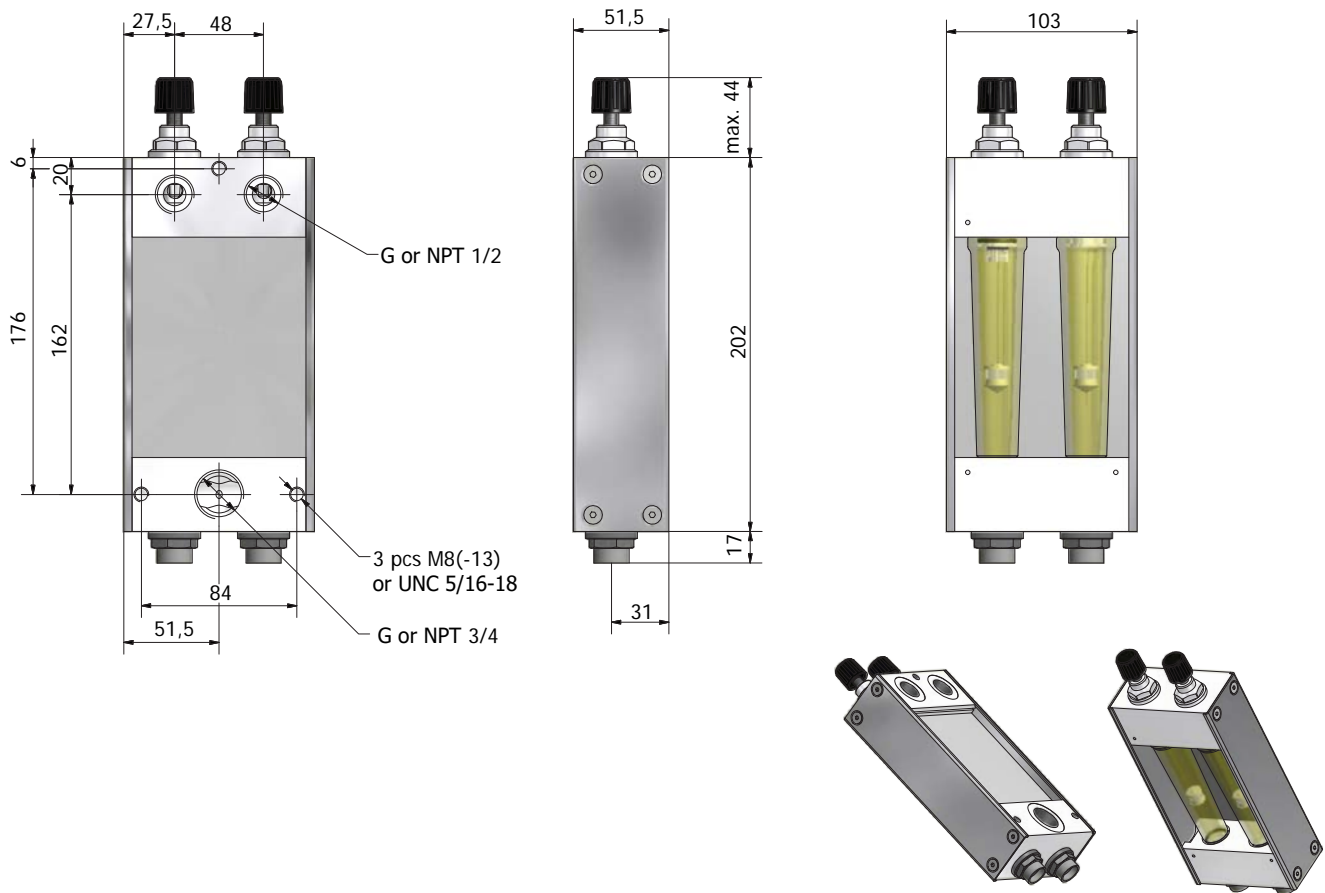
Mounting accessories

Plexiglass front cover

## VEA



## VE2A



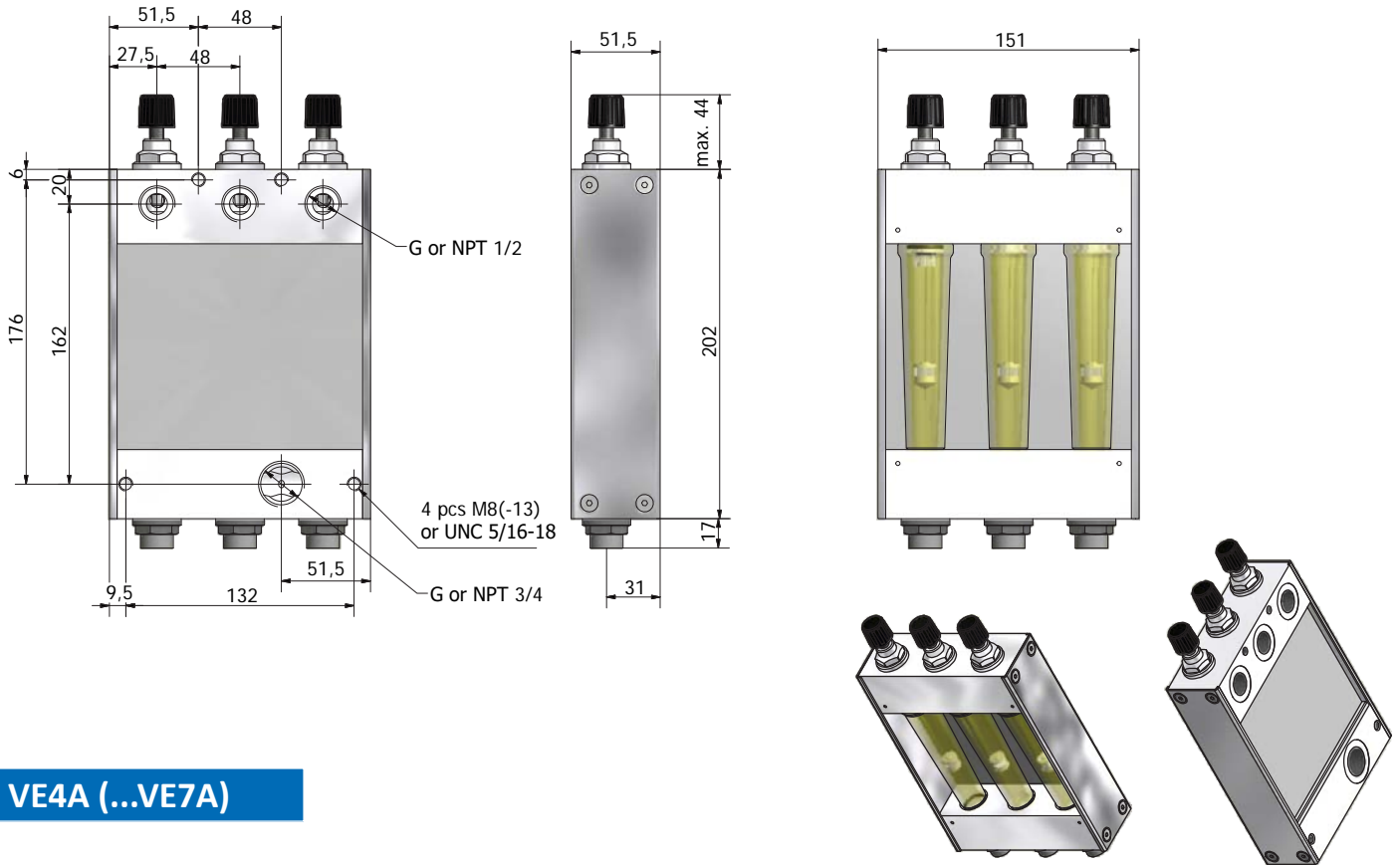
**Kytola**  
INSTRUMENTS

www.kytola.com

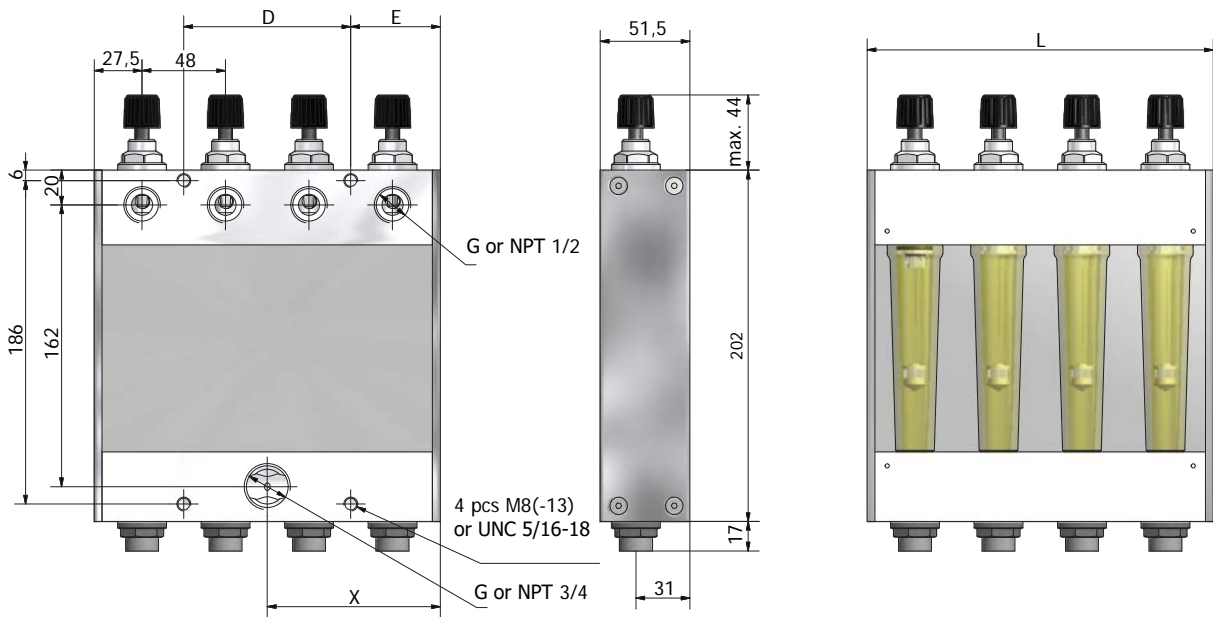


**Kytola Instruments Oy**  
Olli Kytölään tie 1  
FI-40950 Murame, Finland  
Tel. +358 20 779 0690  
Fax +358 14 631 419  
E-mail info@kytola.com

## VE3A



## VE4A (...VE7A)



	VE4	VE5	VE6	VE7
L	199	247	295	343
X	99.5	99.5	147.5	147.5
D	96	144	192	240
E	51.5	51.5	51.5	51.5

**Kytola**  
INSTRUMENTS

www.kytola.com



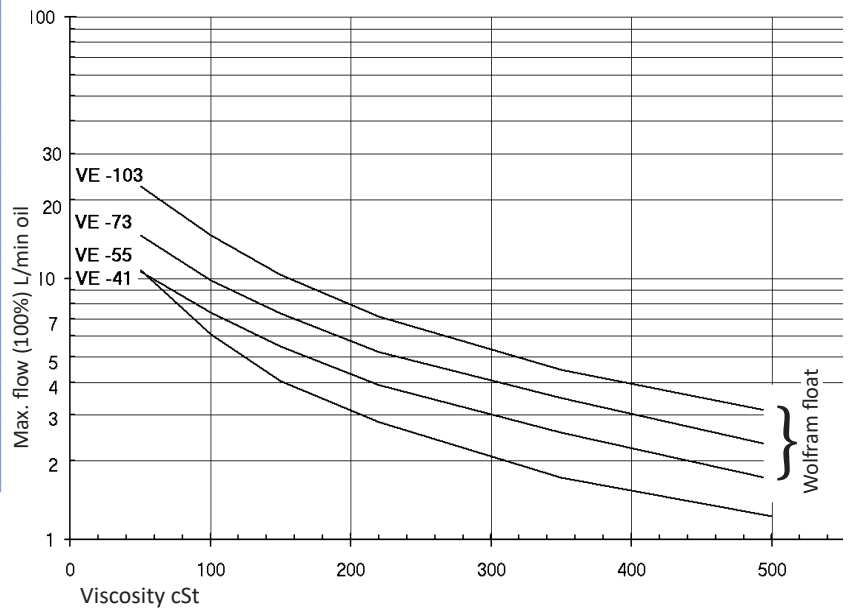
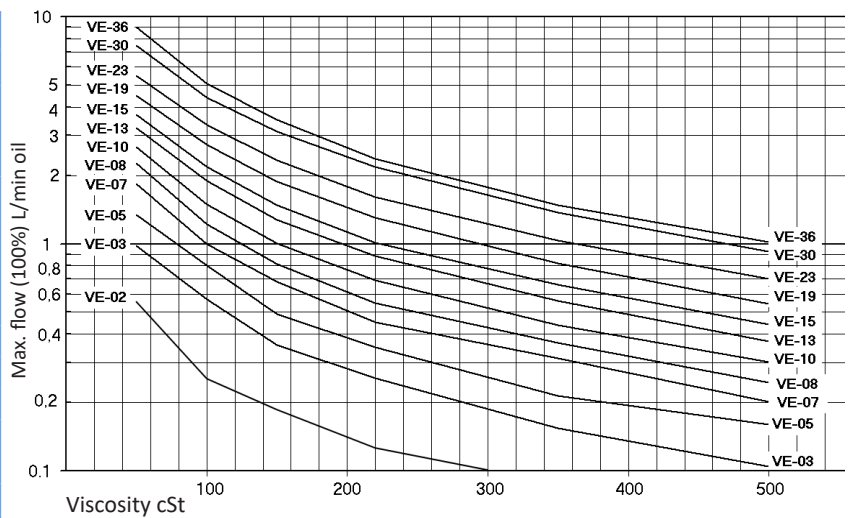
**Kytola Instruments Oy**  
Olli Kytölään tie 1  
FI-40950 Murame, Finland  
Tel. +358 20 779 0690  
Fax +358 14 631 419  
E-mail info@kytola.com

Model	VExA
Flow range	Oil at 150 cSt: smallest range 0.02 – 0.2 L/min.; max. range 2 – 10 L/min Oil at 220 cSt: smallest range 0.02 – 0.14 L/min.; max. range 1 – 7 L/min
Number of tubes	1–7
Max. pressure	30 bar
Max. temperature	80°C
End blocks	Aluminium
Flow tube	Grilamid (PA-12)
Valve	Aluminium / AISI 316
Seals	Viton®
Connections	Single tube models: G 1/2" or NPT 1/2" Multi-tube models: Inlet G 3/4" or NPT 3/4", outlets G 1/2" or NPT 1/2"

## VE [ ] [ ] - [ ] [ ] [ ]

Tubes	
Single tube	<i>blank</i>
Number of tubes (2–7)	<b>x</b>
End Block Material	
Aluminium (standard)	<b>A</b>
Scale Maximum Oil Flow, 150 cSt oil, L/min (approx.)	
0.2	<b>02</b>
0.3	<b>03</b>
0.5	<b>05</b>
0.7	<b>07</b>
0.8	<b>08</b>
1.0	<b>10</b>
1.3	<b>13</b>
1.5	<b>15</b>
1.9	<b>19</b>
2.3	<b>23</b>
3.0	<b>30</b>
3.6	<b>36</b>
4.1	<b>41</b>
5.5	<b>55</b>
7.3	<b>73</b>
10.3	<b>103</b>
Scale	
20...100%	<i>blank</i>
Factory assigned number	<b>XXXX</b>
Options	
Alarm readiness (standard)	<b>D</b>
NPT connections	<b>N</b>

Maximum flow against oil viscosity



Copyright © Kytola Instruments Oy 2019. Dimensions and measurements are given within normal tolerances. Manufacturer reserves the right to changes without prior notification. VExA\_es12\_en Published 5/2019.