

Kytola® Oval Gear Meter Model SRO is designed for oil flow measurement at high flow rates in demanding industrial environments.



- For oil
- Maximum 120 L/min or 200 L/min
- Transparent cover
- Large viscosity range 30–1000 cSt
- Pulse output

ISO 9001 ISO 14001

OVAL GEAR METER SRO

Kytola SRO Oval Gear Meter is a positive displacement meter, which always shows the correct flow rate regardless of oil temperature or viscosity changes.

FEATURES

Independent of viscosity changes

Sturdy construction

Transparent cover provides highly visible oil flow indication

TYPICAL APPLICATIONS

Lubrication oil flow monitoring

Industrial flow monitoring

Process control

OPTIONS

Alternative sensors

G or NPT thread connections

| Model | SRO-120 | SRO-200 |
|---------------------|---|----------|
| Flow range L/min | 10 – 120 | 20 – 200 |
| Output pulses/liter | 17.6 | 8.5 |
| Connections G/NPT | 1½" | 1½" |
| Body | Aluminium | |
| Gears | Bronze; EN 1982 | |
| Cover | Polyamide | |
| Seals | Viton® | |
| Sensor | NAMUR; EN 60947 (*Other types of inductive proximity sensors) | |
| Max. pressure | 10 bar (*20 bar) | |
| Max. temperature | +80°C | |
| Viscosity range | 30–1000 cSt | |
| Weight | 4 kg | 5 kg |
| Accuracy | ±5% of reading | |

*) Special construction on request

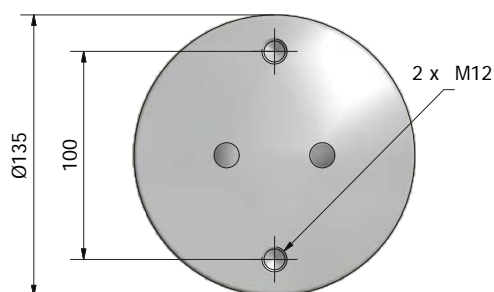
SRO- [] - [] - []

| Flow Range | |
|--------------|------------|
| 10–120 L/min | 120 |
| 20–200 L/min | 200 |

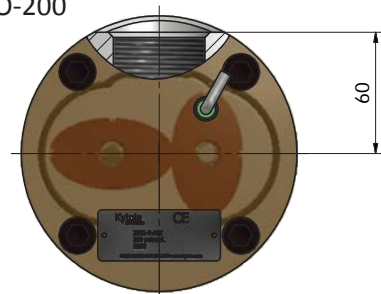
| Connections | |
|-------------|----------|
| G threads | G |
| NPT threads | N |

| Sensor | |
|------------------------------|----------|
| NAMUR; EN 60947 | A |
| PNP/NPN (2-wire) 10 – 55 VDC | F |
| PNP (3-wire) | P |
| NPN (3-wire) | T |
| Without sensor | D |

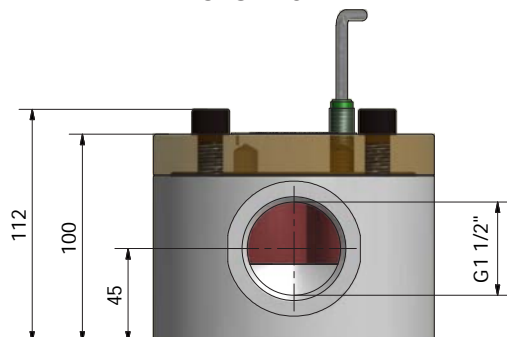
SRO-120 / SRO-200



SRO-120 / SRO-200



SRO-120



SRO-200

