

The KYTOLA® Oval Min-E Local Display Unit is designed to monitor and display flow rates and flow alarms measured by KYTOLA® oval gear meters or other flow meters with pulse outputs.

Oval Min-E can operate as a local display or connected to Kytola KVM Control monitoring software, or to customers' PLC or DCS.



- Single or multi-channel models
- Kytola coil, NAMUR, NPN, or PNP sensor inputs
- Modbus RTU (RS-485) communication
- IP Class 65
- Robust aluminium housing

ISO 9001 ISO 14001

LOCAL DISPLAY UNIT OVAL MIN-E

FEATURES

- Clear scalable display
- Instant and cumulative flow measurement
- Multiple flow units
- Multiple flow alarm levels
- Visible indication of alarm type
- Multi-level configuration
- Pulse input
- Alarm relay
- mA outputs

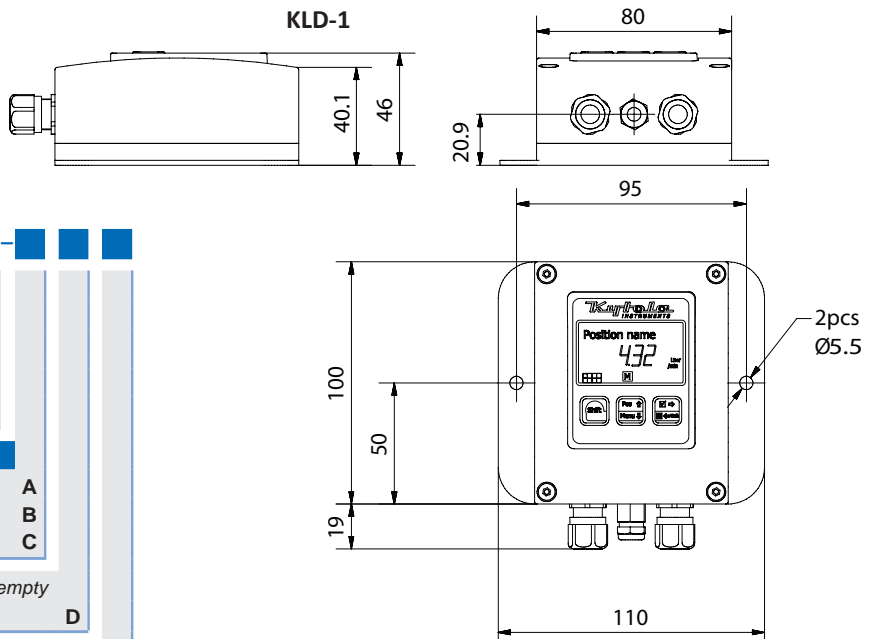
TYPICAL APPLICATIONS

- Lubrication oil flow monitoring
- Industrial flow monitoring
- Process control

OVAL MIN-E

TECHNICAL DATA

Model	KLD-1, KLD-8
Supply voltage	24 VDC
Sensor types	Kytola coil, NAMUR (ILK-M12-N), NPN, PNP
Communication	Modbus RTU (RS-485)
Current output	4–20 mA, 1 pc on single channel model, optional 8 pcs on multi-channel
Relay output	1 pc NC, max. 48 VAC/DC, 0.5A
Supply current (maximum)	KLD-1: 65 mA, KLD-8: 100 mA, KLD-8-MA: 220 mA
Housing	Painted aluminium
IP class	IP 65
Ambient temperature	–20°C...+60°C (relative humidity < 85 %, non-condensing)
Dimensions	Single channel model 110 x 100 x 46 mm Multi-channel model 100 x 120 x 73 mm
Weight	Single channel model 390 g, multi-channel model 550 g

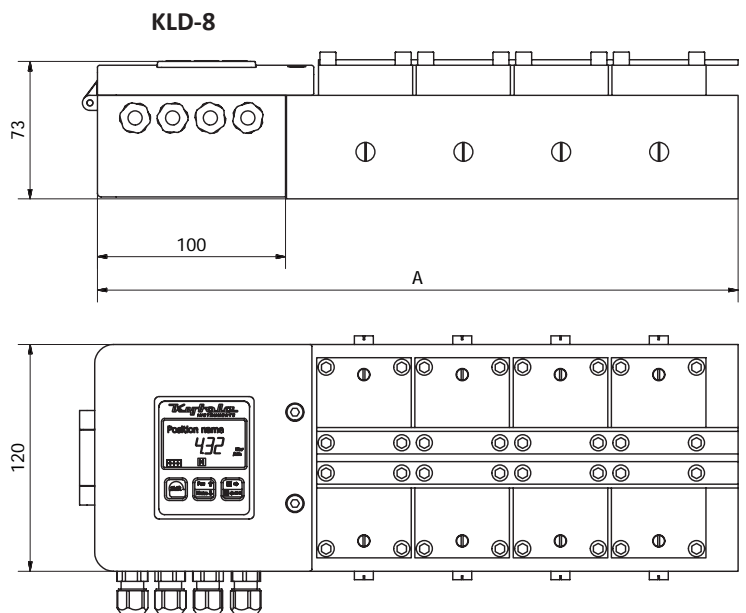


KLD- [] [] [] [] [] [] [] []

Number of Input Channels								
Single channel with mA and relay output	1							
Multi-channel (1–8 channels) with relay output	8							
Special Feature								
mA outputs on multi-channel model (8 pcs)						MA		
Multi-channel Model								
KLD-8 on the left of the SR meter, standard								A
KLD-8 on the right of the SR meter								B
KLD-8 mounting separately from the SR meter								C
KLD-8 standard							leave empty	
KLD-8 for NAMUR sensors, only with MA option								D
Sensor Input								
Kytola coil								K
ILK-M12-N (NAMUR)								I
NPN								N
PNP								P



Model	A
SR4 + KLD-8	236
SR6 + KLD-8	288
SR8 + KLD-8	340



www.kytola.com



Kytola Instruments Oy
 Olli Kytölän tie 1
 FI-40950 Muurame, Finland
 Tel. +358 20 779 0690
 Fax +358 14 631 419
 E-mail info@kytola.com